

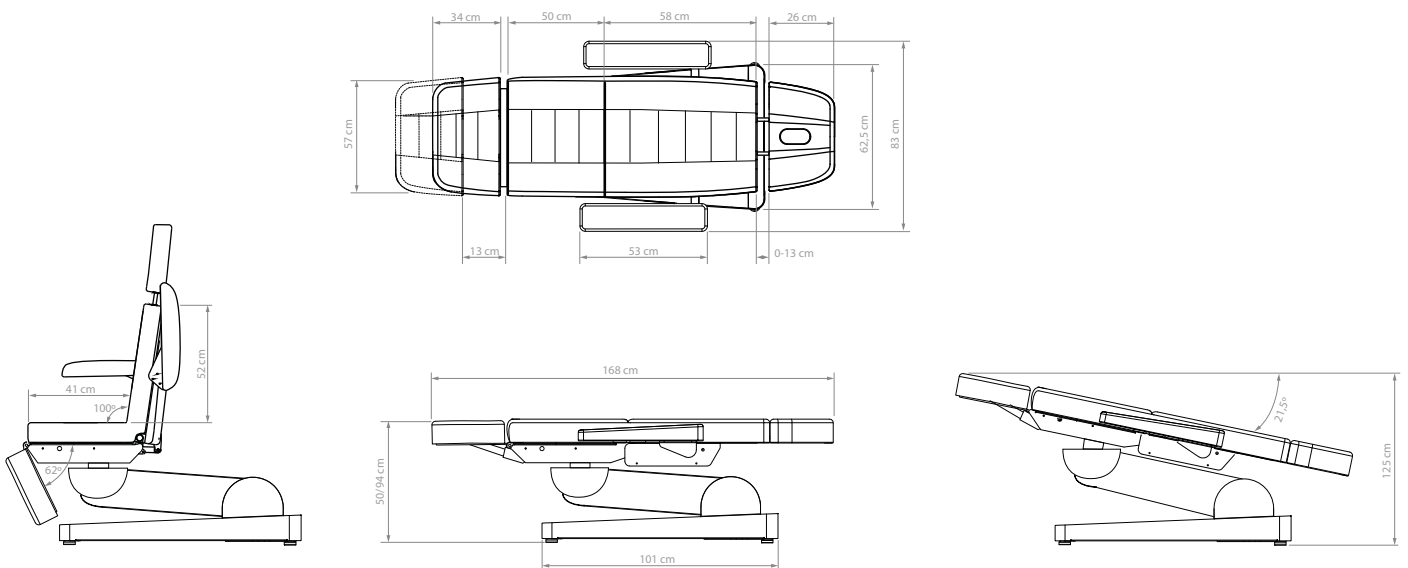


naggura'nuuna

# Nuuna B4 Pro



## Dimensions



## General Specifications

MOTORS 4	INSULATION CLASS Class I
DIMENSIONS (LENGTH X WIDTH) 168x83 cm	PRODUCT CLASSIFICATION Class I
HEIGHT (MIN. AND MAX.) 50/94 cm	APPLIED PARTS Type B
WEIGHT 110 kg	MOISTURE RESISTENCE IPX0
LIFTING CAPACITY 160 kg	FEEDER CABLE 2.5 m
POWER SUPPLY 100-240 V - 50/60 Hz	MAX INTENSITY 6.5A
FRAME COLOUR Dark grey: RAL 7015 Light grey: RAL 7047 Wood: Oak	

## Upholstery

Thickness: 12 cm  
 Density: 40kg/m<sup>3</sup> (3cm) + foam 50kg/m<sup>3</sup> (5cm) + silk floss (1cm)  
 Upholstery: Naggura Silky (100% vinyl compound)  
 Protection against germs and UV rays.  
 Abrasion resistance: >50.000 cycles  
 Flame retardancy: BS 7176  
 Colour: Beige

## Warranty and conformity

WARRANTY  
 10 years on metal structure, 2 years on the rest of the bed.

CONFORMITY  
 MDR (EU) 2017/745

EN ISO 14971: 2019/A11:2021, EN ISO 15223-1:2021/A1:2025, EN ISO 20417:2021,

EN ISO 10993-1: 2020, EN ISO 10993-5: 2009/A11:2025, EN ISO 10993-10: 2023, EN ISO 10993-23: 2021, ISO 13485:2016,

EN 60601-2-52:2010+A1:2015, EN 60601-1: 2006/A13:2024, EN 60601-1-2: 2015+ A1:2021, EN 62366-1: 2015/A1:2021

EN 60601-2-52:2010+A1:2015, EN 60601-1: 2006/A13:2024, EN 60601-1-2: 2015+ A1:2021, EN 62366-1: 2015/A1:2021

## Accessories

Naggura Face+  
Headrest



Comfort Headrest  
Cushion



Cable-Hanging Roll  
Holder



Cover Swop B4 UP GR



Naggura Concave  
Headrest



Foot Controller 4 Motor



Gynecology Set



## Features

Operation system: Hand controller (included)  
 Buttons in backrest: NO  
 Heating: NO  
 Wheels: NO  
 Memories: NO  
 Reset: YES  
 Lock (in handcontroller): YES  
 Rotation: NO  
 Regulating headrest: NO  
 LED: YES, with regulable intensity  
 Extensible parts: Headrest and legrest