

NUUNA B4/P3 series

Instruction Manual

Beauty and Podiatry chairs

NUB4.4.AXX
NUB4.4.AXX.GR
NUB4.4.AXX.GR.R
NUP3.3.AXX
NUP3.3.AXX.GR.R















SCAN HERE
to read the
manual in
other
languages

Instruction Manual

Treatment Table

Table of contents

-  1. Introduction
-  2. Use of the manual
-  3. Warranty
-  4. Product Liability
-  5. EC Declaration of conformity
-  6. Safety instructions
-  7. Dimensions
-  8. Features & Operation
 - Levelling feet
 - Breather hole and plug
 - Hand controller
 - Foot controller
 - Paper roll holder
 - Extensible parts
 - Arm rests
 - LED lighting & Cromo Mood
-  9. Maintenance and cleaning
-  10. Troubleshooting
-  11. Service
-  12. EMC Guidance



1. Introduction

CONGRATULATIONS! You took NAGGURA home!

Thank you for having acquired a NAGGURA product and for the trust shown in us.

We are sure that this medical examination table will turn into the pillar of your work and will more than fulfil your most demanding work requirements. NAGGURA's experts are in the lead of a project created with great devotion. Every single detail has been cared to join technology, performance and design altogether in a single table. Our aim is designing and manufacturing INTUITIVE, DYNAMIC and HIGH-TECH tables of a DARING and UNIQUE design.

Thanks for your choice and start enjoying the NAGGURA experience.

 naggura'



2. Use of the Manual

Before using the treatment table, please read the instruction manual carefully. It is important to keep this manual and store it in a safe place so that it can be consulted at any time.

By carefully following these instructions you will be able to avoid any problems in using the treatment table.

Some texts and/or illustrations may not belong to your Naggura table since they are general and it depends on your product choice at the purchase time.



3. Warranty

The warranty period is effective on the date of purchase of the treatment table for a period of two (2) years. It covers all the components of the treatment table under the normal and correct use. It also covers defects in workmanship from factory.

The above-mentioned warranty does not cover defects or malfunction caused by:

- Misuse, abuse or improper maintenance of the table and its upholstery;
- Non-observance of the precautions and warnings stated in this instruction manual;
- Lack of maintenance or repair tasks carried out by non-qualified service personnel who are unauthorized by the manufacturer;
- Wrong and faulty electrical installations or which do not fulfil the legal requirements;
- Naggura company is not liable for incidental or consequential damage to property or business.



4. Product Liability

Under any circumstances, the producer shall be liable for any indirect, special, incidental or consequential damage incurred by the user, the patient or the table itself as a result of:

- a. A wrong diagnosis;
- b. Incorrect use of the table or any of its accessories;
- c. The wrong interpretation or non-observance of this user manual;
- d. A lack of maintenance of the table;
- e. Or maintenance works of the table and/or repairs performed by persons unauthorized to do so by the manufacturer.

According to the current legislation, the manufacturer cannot be held responsible for any flaws in the table or its components and accessories after a period of ten (10) years from the date on which the producer puts into circulation the actual product. Therefore, producer cannot be obliged to supply any spare parts or accessories for this table.

Expected lifespan

Provided that the operator and user takes care of the table and undertakes regular maintenance tasks as described in section 9 of the current manual, the expected lifespan of the Naggura table can reach over 10 years from production date.

The intended use of the Treatment Table is to position a patient for the treatment. The unit is intended for use by qualified professional within a professional setting.



5. EC Declaration of conformity

Naggura products are produced and marked in conformity with the directives hereby stated :

Low voltage : 2014/35/CE

Electromagnetic compatibility : 2014/30/CE



These products are manufactured according to the essential requirements established in the European Medical Devices Directive (Annex II+III of Regulation (EU) 2017/745):

EN ISO 14971: 2019/A11:2021, EN ISO 15223-1:2021/A1:2025, EN ISO 20417:2021,
EN ISO 10993-1: 2020, EN ISO 10993-5: 2009/A11:2025, EN ISO 10993-10: 2023, EN ISO 10993-23: 2021, ISO 13485:2016,
EN 60601-2-52:2010+A1:2015, EN 60601-1: 2006/A13:2024, EN 60601-1-2: 2015+ A1:2021, EN 62366-1: 2015/A1:2021.

The Nuuna line has a guarantee of two (2) years in all parts. The manufacturer will not be held responsible for the results of maintenance or repairs performed by unauthorised persons. For further information on guarantee terms, please contact your distributor.



6. Safety instructions

Responsibility of the owner

Naggura beauty and podiatry beds are only meant to be used by professional personnel in beauty, aesthetics, dermatology, podiatry, pedicure and medical aesthetics fields.

It is the responsibility of the owner to ensure that training is given to all operators and third parties (like for example cleaning personnel) on safe use of the treatment table, and that they have read and understood all the operating and safety instructions. Only trained operators may use the treatment bed. Please keep the manual in a place where it is easily accessible to all users, and make it an important part of your employee training program.

Safety on installation and electricity

- Place the table in a space with free access from the 4 sides. Do not place the table against the wall or against any obstacles.
- Do not use the table in a high-humidity environment
- Check if the mains voltage and frequency are in accordance with the information on the typeshield. If not, contact your supplier before connecting the device.
- Please pay attention that the continuous working times should be "Max. 2min. ON; 18min. OFF" when operating the motor.
- Make sure that the unit is correctly plugged into an earth intake, following the local and national requirements and standards.
- Make sure that the mains cable is positioned in such a way that it cannot get stuck between the mechanism.
- Especially pay attention that the mains cable does not get pinched under the feet of the table.
- If the table gets wet accidentally, unplug the table immediately.
- Do not leave children unattended near the table.
- Unless being monitored or instructed by personnel who can be responsible for their personal safety, the people who have physical obstacles, tactile disorders, mental disorders, lack of experience, common sense or children, are not allowed to use the equipment.
- Do not use the device near electromagnetic transmitters. Read and follow all the information about electromagnetic compatibility (EMC) in page 22.
- If the power cord or plug is damaged, please contact the distributor, service center or experienced technicians for repairing.



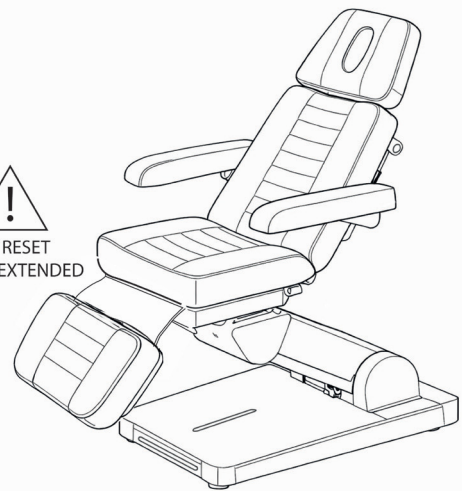
Safety instructions

Safety during treatments

- Don't let anybody, except the operator and the patient, in the treatment room.
- Do not sit on the head section or end of the leg section of the chair. The head section and armrests are not suitable to sit on.
- Be careful with extremities when operating up and down the different sections of the tables.
- Patients are not to be left unattended,
- Do not exceed the maximum load capacity of the table.
- Place the table on a stable and horizontal surface. Level it if necessary with the levelling feet under the table.
- Ensure that neither the patient nor the operator can get any part of the body or clothes trapped between the moving parts of the mechanism when the table is being raised or lowered.
- Make sure the legrest is compressed before doing RESET of the bed



!
NO RESET
WHEN EXTENDED

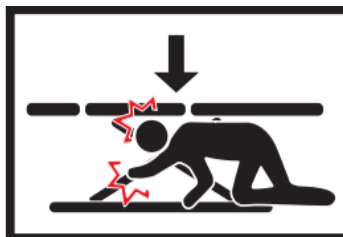


Safety before or after the treatment

- Do not leave anybody unattended alone near the table.
- Disconnect the table if not used for a long period of time.

Safety when cleaning the bed or the therapy room

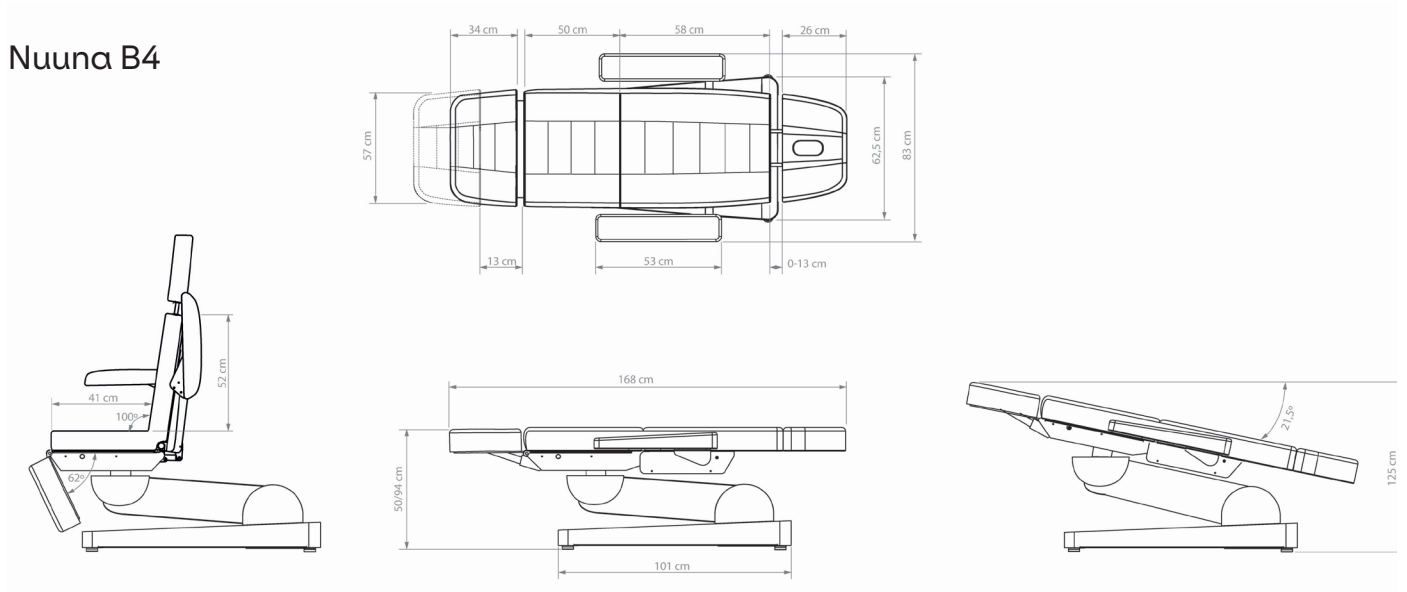
- Disconnect the table from the power supply.
- Do not get under the table or between its moving parts.





7. Product dimensions

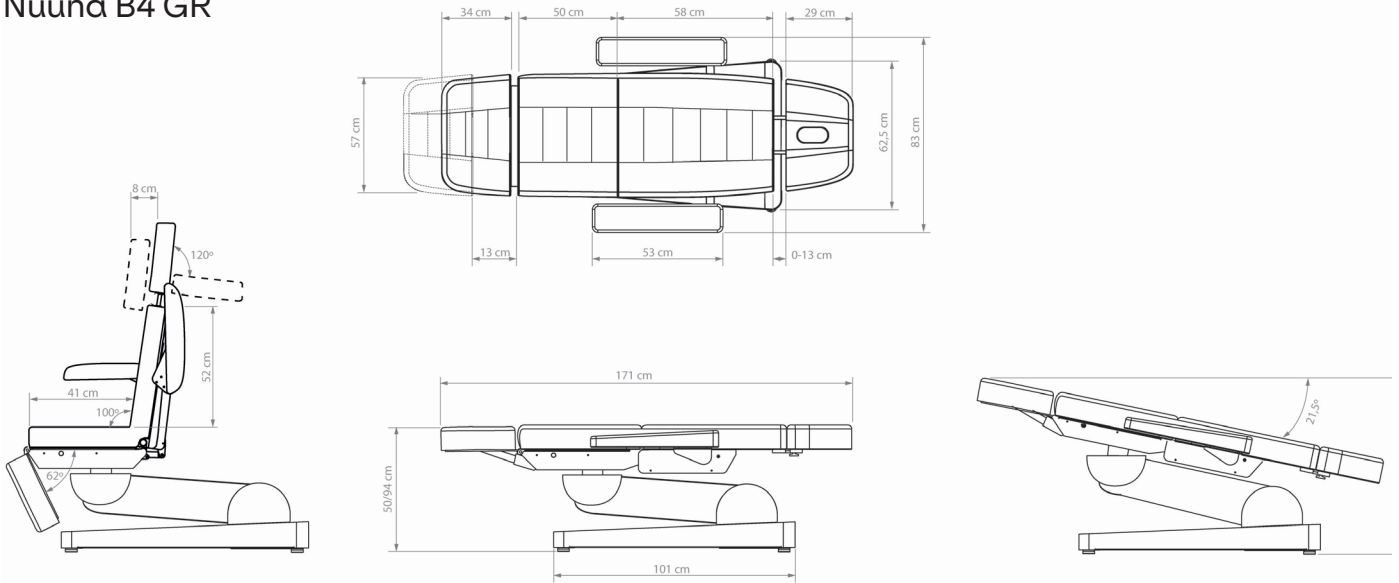
Nuuna B4



Product size	168 (+/- 35 cm with movement) x 83 x 50 / 94 cm
Package size	137 x 62 x 58 cm
Max loading weight	160 Kg
Net weight	110 Kg
Gross weight	132 Kg
UDI	0 697459027 088 1
Heating	NO
Reset/Memories	Reset YES, Memories NO
Back switches	NO
Rotation	NO
Upholstery type	Naggura Silky PU in White, Beige or Olive.
Upholstery density	40kg/m ³ (3cm) +foam 50kg/m ³ (5cm) + silk floss(1cm) Total thickness: 12cm
Regulating headrest	NO
Accessories	NGGA006, NGGA007, NGGA008, NGGA012, FC004. SWOP.UP, 50080.1, A33.COVER.SWOPB4UPGR, CO- VER.SWOPB4UPGR



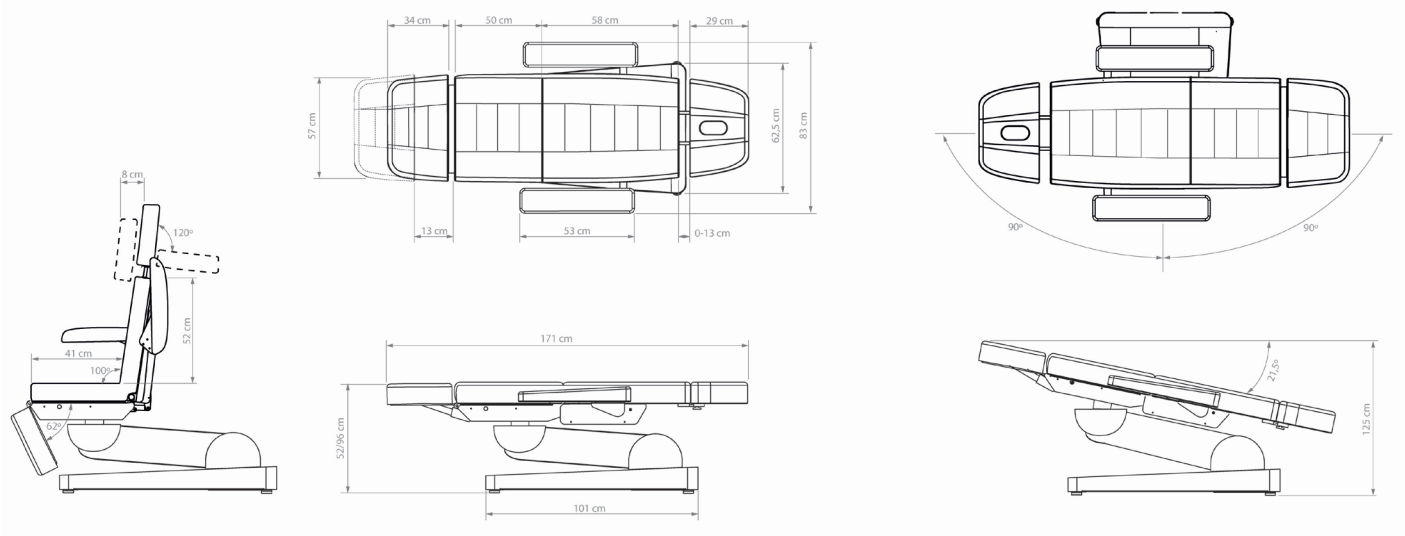
Nuuna B4 GR



Product size	171 (+/- 35 cm with movement) x 83 x 50 / 94 cm
Package size	137 x 62 x 58 cm
Max loading weight	160 Kg
Net weight	110 Kg
Gross weight	132 Kg
UDI	0 697459027 089 8
Heating	YES
Reset/Memories	Reset YES, Memories YES
Back switches	YES
Rotation	NO
Upholstery type	Naggura Silky PU in White, Beige or Olive.
Upholstery density	40kg/m ³ (3cm) + Latex foam 50kg/m ³ (5cm) + silk floss (1cm) Total thickness: 12cm
Regulating headrest	YES
Accesories	NGGA006, NGGA007, NGGA008, NGGA012, FC004. SWOP.UP, 50080.1, A33.COVER.SWOPB4UPGR, COVER.SWOPB4UPGR



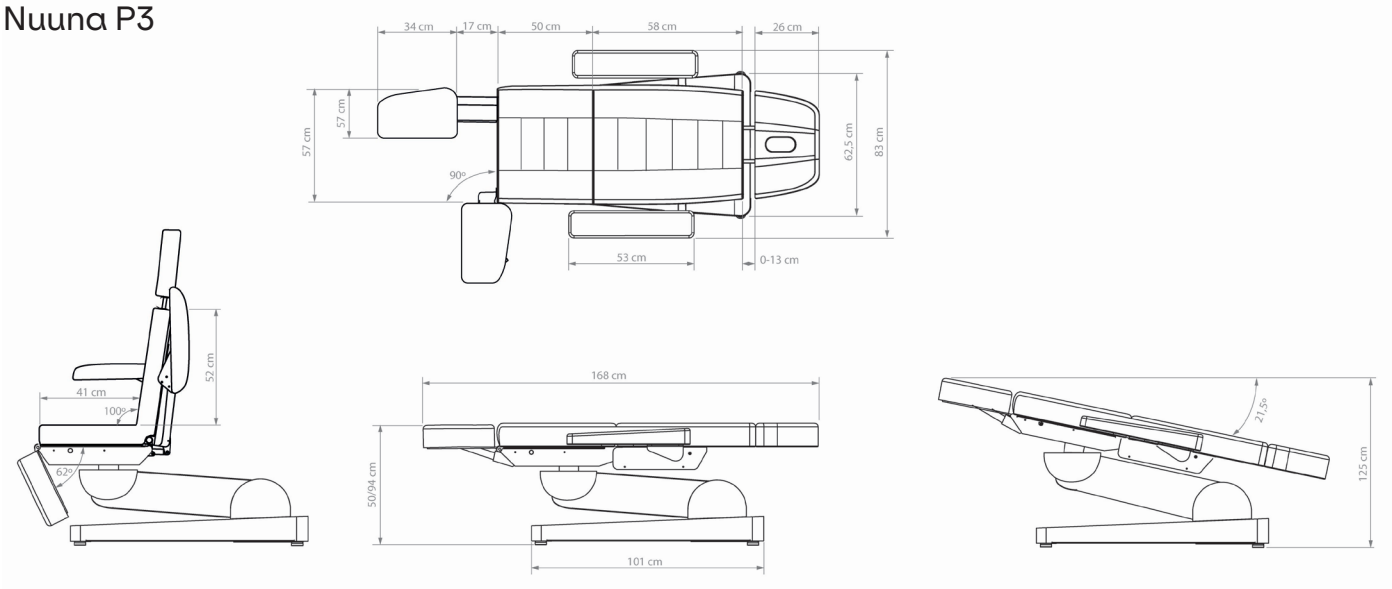
Nuuna B4 GR ROTATION



Product size	171 (+/- 35 cm with movement) x 83 x 50 / 96 cm
Package size	137 x 62 x 58 cm
Max loading weight	160 Kg
Net weight	115 Kg
Gross weight	137 Kg
UDI	0 697459027 090 4
Heating	YES
Reset/Memories	Reset YES, Memories YES
Back switches	YES
Rotation	YES, 90° each side (total 180°)
Upholstery type	Naggura Silky PU in White, Beige or Olive.
Upholstery density	40kg/m ³ (3cm) + Latex foam 50kg/m ³ (5cm) + silk floss (1cm) Total thickness: 12cm
Regulating headrest	YES
Accesories	NGGA006, NGGA007, NGGA008, NGGA012, FC004. SWOP.UP, 50080.1, A33.COVER.SWOPB4UPGR, CO-VER.SWOPB4UPGR



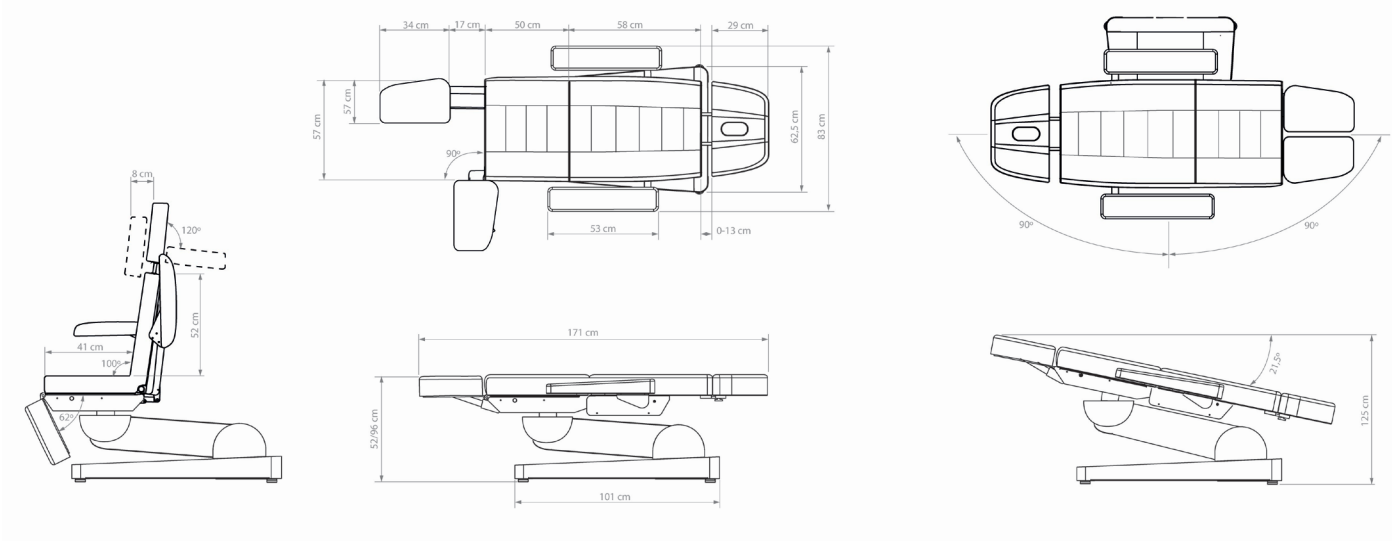
Nuuna P3



Product size	168 (+/- 35 cm with movement) x 83 x 50 / 94 cm
Package size	137 x 62 x 58 cm
Max loading weight	160 Kg
Net weight	110 Kg
Gross weight	132 Kg
UDI	0 697459027 091 1
Heating	NO
Reset/Memories	Reset YES, Memories NO
Back switches	NO
Rotation	NO
Upholstery type	Naggura Silky PU in White or Grey
Upholstery density	40kg/m ³ (3cm) + foam 50kg/m ³ (5cm) + silk floss(1cm) Total thickness: 12cm
Regulating headrest	NO
Accesories	NGGA006, NGGA007, NGGA008, FC003.SWOP.UP, 50080.1, A26.COMFORT.BEAUTY.PODO



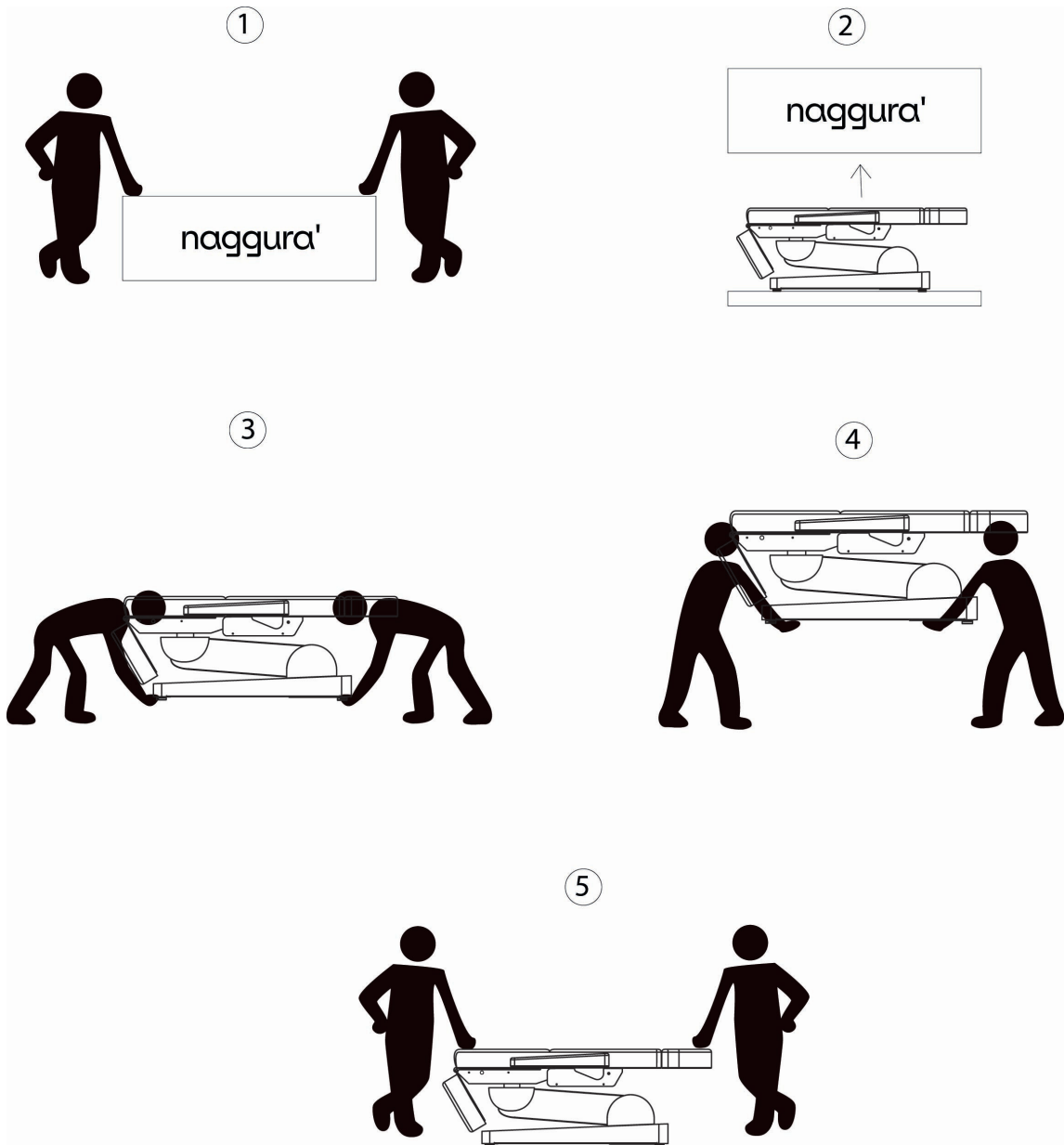
Nuuna P3 GR ROTATION



Product size	171 (+/- 35 cm with movement) x 83 x 50 / 96 cm
Package size	137 x 62 x 58 cm
Max loading weight	160 Kg
Net weight	115 Kg
Gross weight	137 Kg
UDI	0 697459027 092 8
Heating	YES
Reset/Memories	Reset YES, Memories YES
Back switches	YES
Rotation	YES, 90° each side (total 180°)
Upholstery type	Naggura Silky PU in White or Grey
Upholstery density	40kg/m ³ (3cm) + Latex foam 50kg/m ³ (5cm) + silk floss (1cm) Total thickness: 12cm
Regulating headrest	YES
Accesories	NGGA006, NGGA007, NGGA008, FC003.SWOP.UP, 50080.1, A26.COMFORT.BEAUTY.PODO



Handling and transport

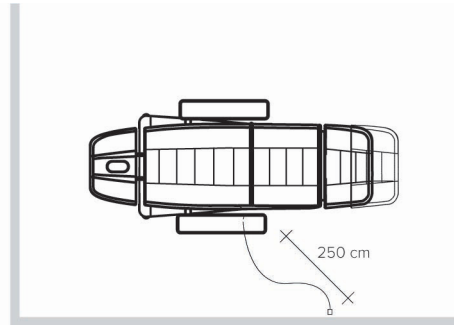
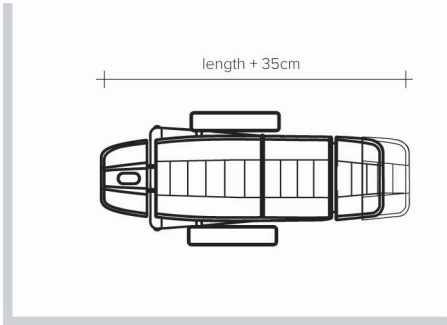




Product dimensions

Lateral displacement (cm)

Power cord length(cm)



8. Operation

Power input

Voltage and frequency input shall be 110-240V, 50/60Hz. Make sure that the unit is correctly plugged into an earth intake. Plug the table cable into the socket as shown below:



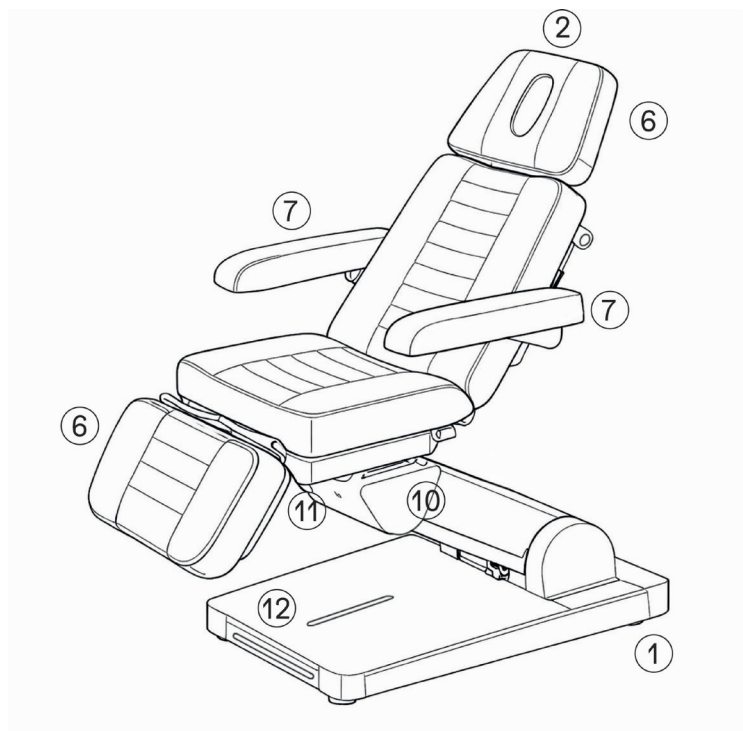


8. Operation of Nuuna B4/P3

- 1. Levelling feet
- 2. Breather hole and plug
- 3. Hand controller
- 4. Foot Controller
- 5. Paper roll holder
- 6. Extensible parts
- 7. Arm rests
- 8. Legrests Nuuna P3 series
- 9. Regulating headrest (GR)
- 10. Rotation (GR ROTATION)
- 11. Gynecology (B4 series)
- 12. LED lighting
- 13. Heating (GR)

Optional

Note: Check in chapter 7 what features has your exact Nuuna bed.



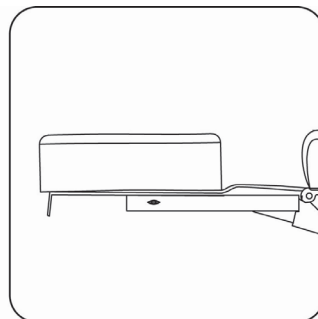
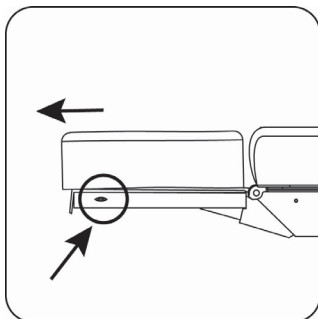
Legrest extension

The legrests of Nuuna series works as a block. You can extend by unblocking the mechanism and pulling forward the upholstery.

Find a small regulating part on the right side of the structure, unscrew it a bit and move the section to the desired position.

Lock again by tightening the regulating part.

Very important: **DO NOT RESET when the legrest is extended!**
It can be dangerous to the bed, the working space and people around the bed.



Legrests Nuuna P3 series

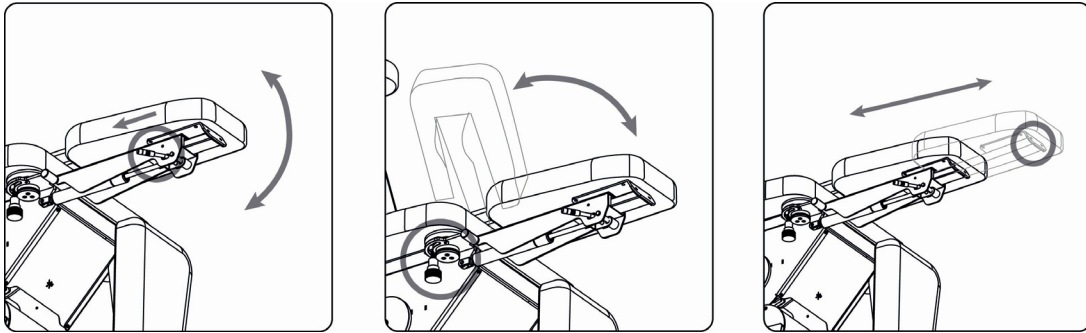
Nuuna P3 series is equipped with 2 extensible legrests that can be regulated up/down and to the exterior side independently.

To move up-down, find the gas lift lever on the exterior side of each leg, and press to move the leg to the desired position.

To adjust the side opening system, unscrew a bit the knob under the seat, and simply move the leg to the side. (90°)

Very important: DO NOT RESET when the legrest is extended!

It can be dangerous to the bed, the working space and people around the bed.

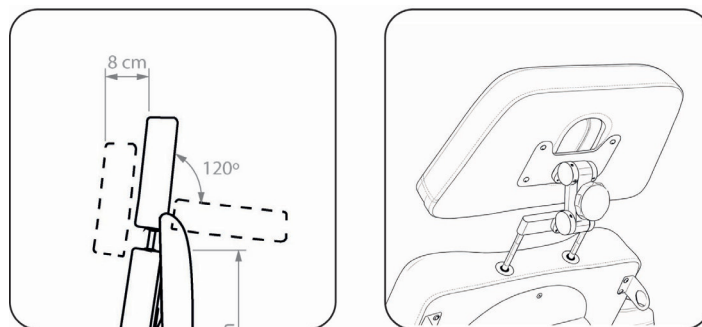


Regulable headrest

Nuuna B4/P3 GR series is equipped with a special regulating headrest that offers extra confort to the patient.

You can regulate the position and inclination using the knob on the back of the headrest. Tighten well to fix in the desired position.

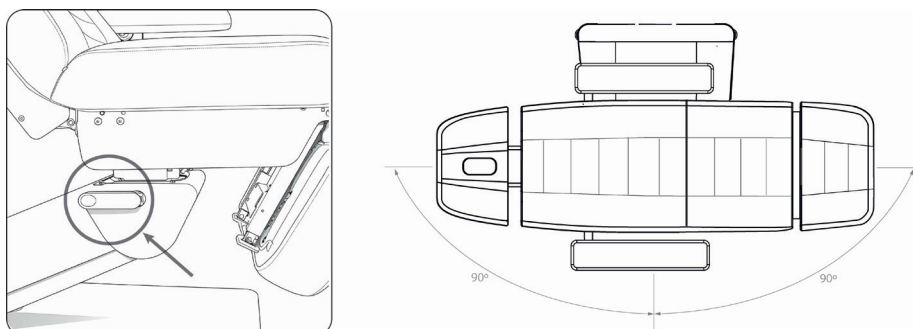
Also, the headrest can be moved up and down using the extension bars.



Rotation of the bed

Nuuna B4/P3 GR ROTATION can rotate 90° to each side.

To rotate the bed, unblock the lever on the right side of the bed, move to the desired position, and lock again.



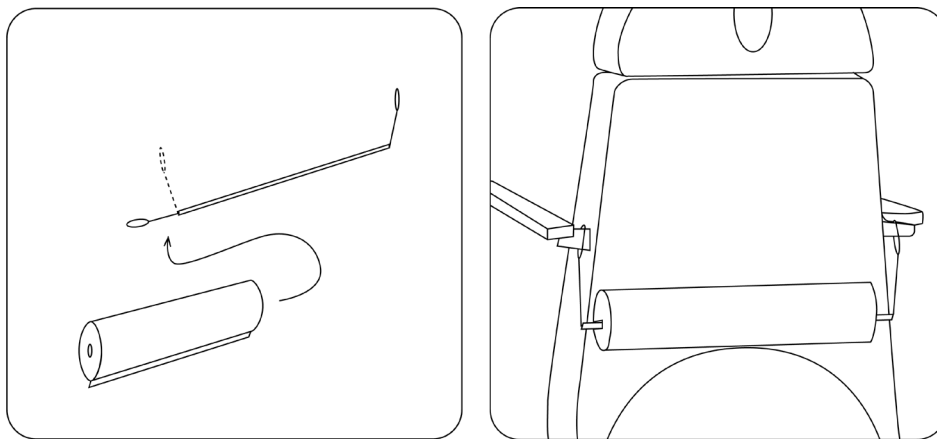
Paper roll holder

You can optionally add a paper roll holder to Nuuna.

This roll holder works differently from the physio one, because it's supported by threads on both sides that go hooked to the armrests of the chair.

Please see below how to install it:

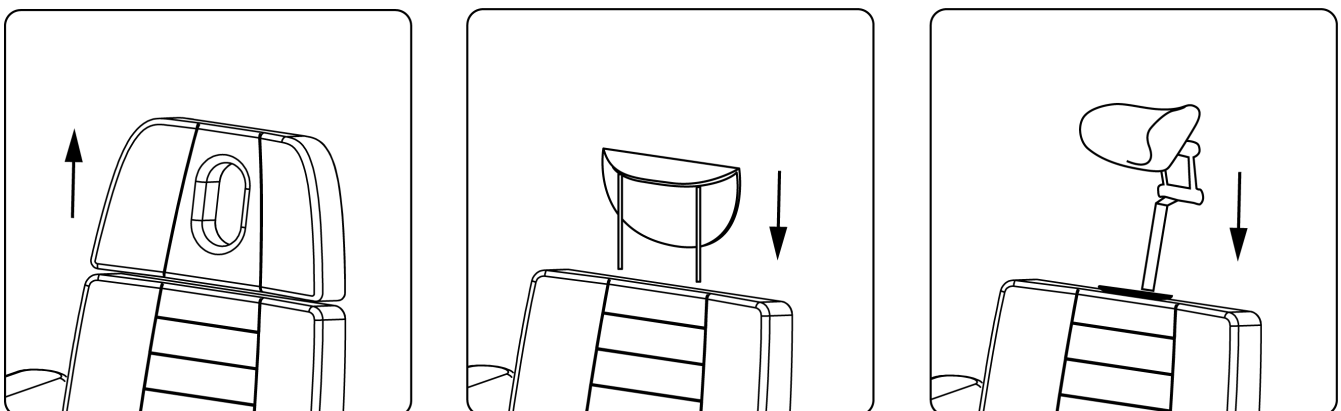
- 1- Remove one armrest, place the hook on the union bar and put the armrest back to the chair.
- 2- Put the paper roll on the bar.
- 3- Remove the armrest on the opposite side and carefully hook the other side of the roll holder on the union bar. Put the armrest back to the chair.



Capilar headrest

As an accessory, the chair's headrest can be changed to one of Naggura's capilar headrests.

First, take off the default headrest. Then, insert the capilar headrest support on its place. After, you can easily install the capilar headrests to the bed and adjust as needed.



Hand controller B4

Using the hand controller in Nuuna B4 you can adjust 4 engines, heating, LED light and MOVE pack by Naggura.

The model Nuuna B4, only has RESET function, the other models have Memories, lock and heating as well.

Engine adjustment:

The first four rows of the hand controller control the movements of the motors:

- 1- Height motor
- 2- Seat inclination motor
- 3- Backrest motor
- 4- Legrest motor

Warning: Trendelembourg position is not possible when the height of the bed is at the lowest position (with the backrest flat). The bed program will first rise the bed up to 70cm, and then, full trendelembourg position will be possible.

Heating adjustment:

If your bed has heating, you can activate it using the hand controller.

To turn on the heating function, press the heating button on the lower right corner. Press it once to have it in Low (35°C) or twice for High (42°C).

You can see the small screen the target temperature. The temperature sensation may vary according to external factors, like room temperature and if there is a person or blanket on the bed.

To turn it off, press once or twice the heating button until both LED indicators are off.

The heating turns off automatically after 1h.

LED adjustment:

Using the LED button on the left side, you can turn on and off the LED light at the base of the bed.

Using the right button you can adjust the intensity of the LED.

MOVE pack by Naggura adjustment:

Reset function is available in all Nuuna models. This function returns the bed into "chair" position in the lowest height. DON'T USE RESET IF THE LEGREST IS EXTENDED.

GR models, also have 3 memory positions and lock.

The lock button has a LED indicator on top, that indicates if the bed is locked (on) or unlocked (off).

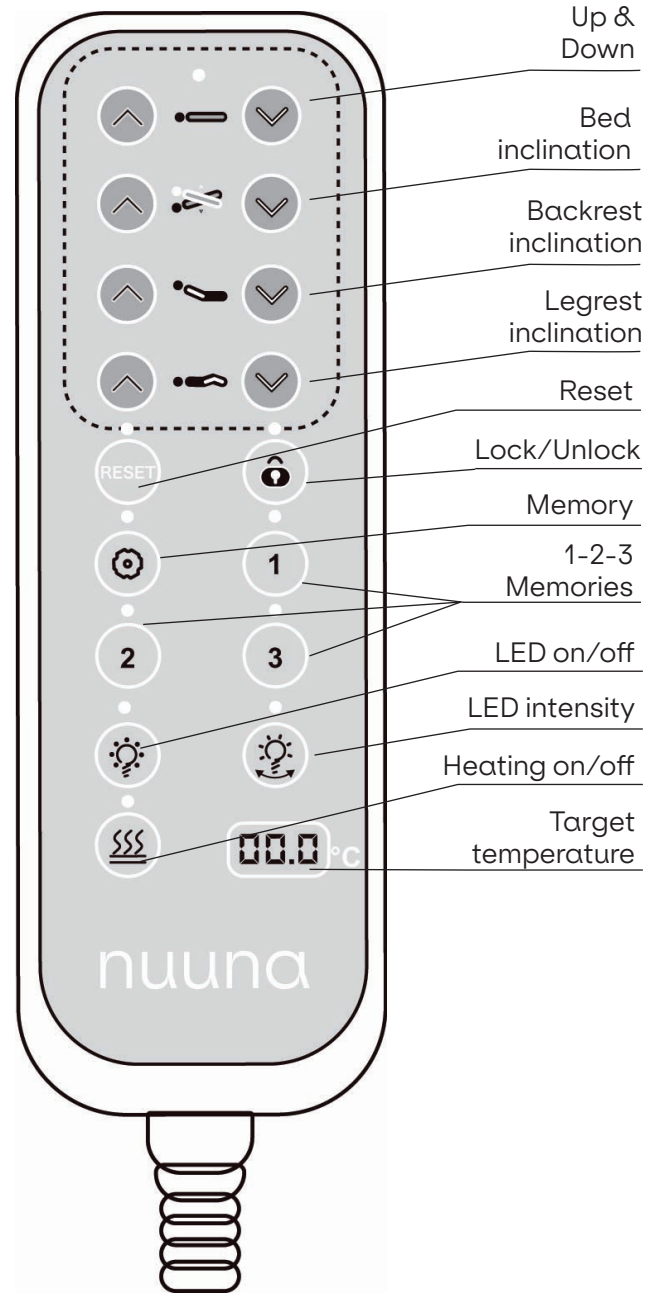
When the bed is locked, the motors don't work.

On the middle of the hand controller there is a group of 4 keys that control the memory positions.

"1", "2" and "3" keys are customisable memory positions.

To save a position, first bring the bed into the desired position and then press the number in which you want to save that position at the same time that you press the button "M" for 5 seconds.

Once saved, you can use the numbers to bring the bed into the saved positions.



Hand controller P3

Using the hand controller in Nuuna P3 you can adjust 4 engines, heating, LED light and MOVE pack by Naggura.

The model Nuuna P3, only has RESET function, the other models have Memories, lock and heating as well.

Engine adjustment:

The first four rows of the hand controller control the movements of the motors:

- 1- Height motor
- 2- Seat inclination motor
- 3- Backrest motor

Warning: Trendelembourg position is not possible when the height of the bed is at the lowest position (with the backrest flat). The bed program will first rise the bed up to 70cm, and then, full trendelembourg position will be possible.

Heating adjustment:

If your bed has heating, you can activate it using the hand controller.

To turn on the heating function, press the heating button on the lower right corner. Press it once to have it in Low (35°C) or twice for High (42°C).

You can see the small screen the target temperature. The temperature sensation may vary according to external factors, like room temperature and if there is a person or blanket on the bed.

To turn it off, press once or twice the heating button until both LED indicators are off.

The heating turns off automatically after 1h.

LED adjustment:

Using the LED button on the left side, you can turn on and off the LED light at the base of the bed.

Using the right button you can adjust the intensity of the LED.

MOVE pack by Naggura adjustment:

Reset function is available in all Nuuna models. This function returns the bed into "chair" position in the lowest height. **DON'T USE RESET IF THE LEGREST IS EXTENDED.**

GR models, also have 3 memory positions and lock.

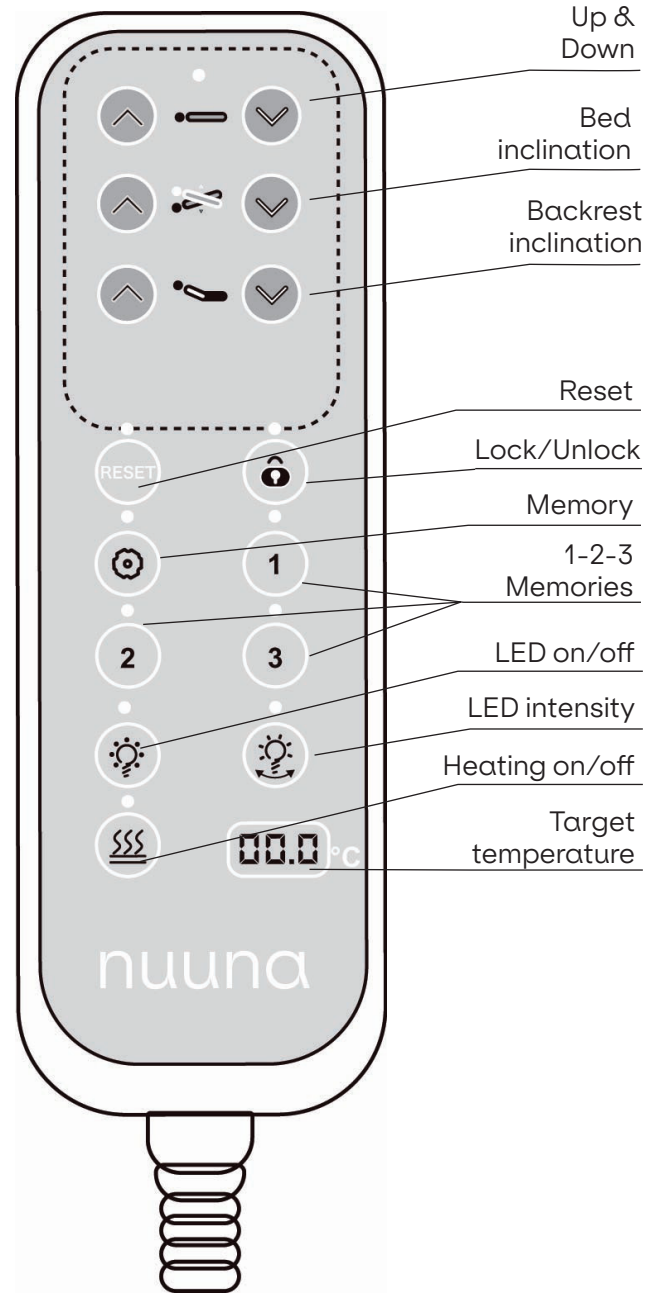
The lock button has a LED indicator on top, that indicates if the bed is locked (on) or unlocked (off). When the bed is locked, the motors don't work.

On the middle of the hand controller there is a group of 4 keys that control the memory positions.

"1", "2" and "3" keys are customisable memory positions.

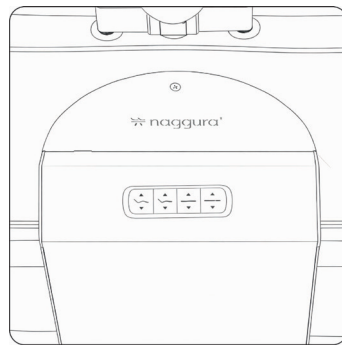
To save a position, first bring the bed into the desired position and then press the number in which you want to save that position at the same time that you press the button "M" for 5 seconds.

Once saved, you can use the numbers to bring the bed into the saved positions.



Back switches

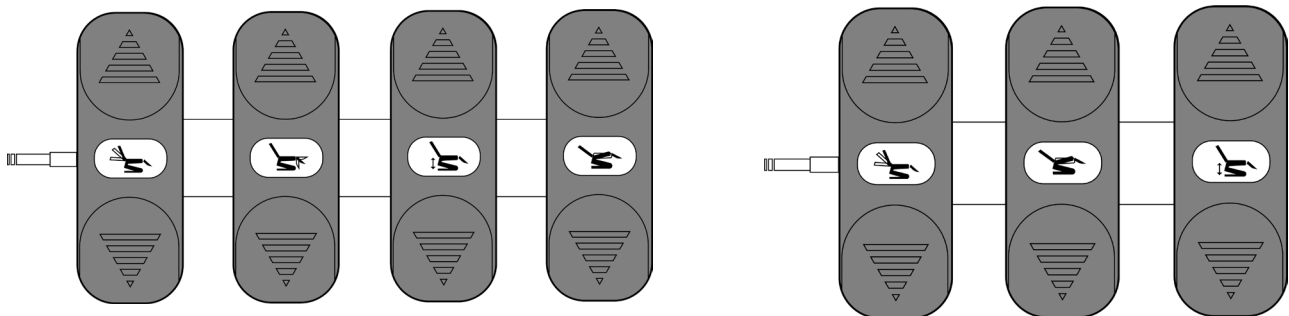
Nuuna B4/P3 GR series in addition to the hand controller, have switches located in the back of the chair that control the 4 motors.



Foot controller

A foot controller is available as an option and it can be ordered separately. You can adjust all the movements of the bed by means of the foot controller.

Turning the bed, you can find the connector under the base.



Nuuna B4 series

Nuuna P3 series

Specifications

Power	AC 110 - 240V, 50/60Hz
Max power	300W
Environment temperature	0°C - +40°C
Relative humidity	30% - 90%
Loading capacity	160 Kg
Electrical class	I
Applied parts	Type B
Medical Classification	Class I



9. Maintenance and cleaning

Upholstery Daily Cleaning

It is very important for the life of the upholstery to clean it properly.

- 1.- Clean the entire surface using a mixture of 1:9 liquid soap (neutral pH) and water. Do not use soap or cleaning solutions that contain alcohol, ketones, xylene, acetates or solvents (mineral/white spirits).
- 2.- Completely remove excess cleaner with a white, clean, damp cloth.
- 3.- Dry the surface.

- **Important:** Lacquers, strong cleaners, xylene-based solutions, acetone or MEK cause immediate damage and contribute to the deterioration of the material. The use of such cleaners is at the owner's risk.

Table Frame Cleaning

Remove dust with a white cloth.

Use alcohol-free cleaning wipes to clean the structure or simply use a white cotton cloth soaked in a mix of water with neutral diluted soap and rinse. Dry with a clean cloth.

Maintenance

Naggura tables have been designed for an intensive use during long time thanks to their stability, reliability and durability.

However, we advise to keep the table in perfect conditions and make a correct use of it. Unplug the table if you will not use it for a long period of time.

Environment information

This symbol indicates that some electrical components or materials can be reused and/or are harmful to the environment and thus, they must be properly recycled. Ensure that you are familiar with the local rules and regulations regarding to the disposal of equipment and accessories.



10. Troubleshooting

Squeaking noise when moving the bed up & down (mechanical noise):

- The axes are adjusted and greased from factory but with the time and use, they may need some little adjustment. Remove the grey plugs of the connecting rods (2 at each side, so 4 in total). Loosen the axes a little bit by unscrewing them (approx. 2 turns). Apply a bit of neutral grease and plug them again.

None of the motors work:

- Check if the power cable is disconnected, either from the wall socket or the control box.
- Check the power cable for any damage.
- Check all the plugs and connections.
- Check if the LED light in the control box is lightened GREEN.

If 1 motor is faulty:

- Follow the TEST to determine whether the source of the problem lies in the control box, the hand controller or motor of the affected part. Exchange the cable of the faulty motor with another section that works properly to discard. GET access to the control box. The control box has the connections of the hand controller, the 4 engines of the bed and the power supply cable.

If the motor of the backrest does not work, unplug for example the HEIGHT motor and plug this wire in the BACKREST motor socket (exchange socket from other motor that works fine). Check the movement of the HEIGHT motor by pressing the buttons of the BACKREST movement in the hand controller to observe the motor operation.

- If the motor does not work, the problem is the motor.
- If the motor works properly, the problem would be the control box.



Persisting problems

If problems persist, please contact your dealer and provide the serial number and model of the table as they appear under the bed.

naggura' TREATMENT TABLE

MD CE [Icons] Max. 190kg

INPUT: AC 110-240V 50/60Hz 3.0A
Power: 300w (Max); ON: 2min / OFF: 18min

Foshan Huaduan Cosmetic Technology Company Limited
Jianye 2nd road, Nanjin Cun, Shatou Industrial Area, Jiujiang Town, Nanhai District, Foshan City, Guangdong Province, China

REF NU2L.1.AXX. ST
VERSION V x.x
2026-01-20
SN WE...-...-... ← Serial number
Weelko Barcelona SL
Cami de Garreta 92
08600 Berga, Spain
EU REP SUNGO Cert GmbH
Harffstr. 47, 40591
Düsseldorf, Germany

UDI (01)...
DATAMATRIX (11)...
UDI (10)...
(21)... → UDI

EAN CODE bar code bed



11. Service

Only a technician authorised by Naggura is allowed to perform any kind of repairs on the bed.

If your technical staff is allowed by Naggura to repair the bed, Naggura can provide the necessary instructions and spare parts lists. Please contact your local Naggura distributor for more information.



12. EMC Guidance

Guidance and Manufacturer's Declaration - Electromagnetic Emissions	
Emissions test	Compliance
RF emissions CISPR 11	Group 1
RF emissions CISPR 11	Class A
Harmonic emissions IEC 61000-3-2	Class A
Voltage fluctuations/flicker emissions IEC 61000-3-3	Complies

Warning: It is not safe to operate the device in the presence of HF surgical equipment or places where the intensity of EM disturbances is high.

Warning: Use of this equipment adjacent to or stacked with other equipment should be avoided because it could result in improper operation. If such use is necessary, this device and other equipment should be observed to verify that they are operating normally.

Warning: Use only accessories and cables provided by the manufacturer. Accessories and cables not recommended may affect the EM emissions or immunity.

Warning: Maintain minimum distance of 12 inches (30 cm) between any part of the working table and portable RF communication equipment (including peripherals such as antenna cables and external antennas.) Performance of the table might degrade if proper distance is not maintained.

Guidance and Manufacturer's Declaration - Electromagnetic Immunity		
Immunity Test	IEC 60601-1-2 Test level	Compliance level
Electrostatic discharge (ESD) IEC 61000-4-2	±8 kV contact ±2 kV, ±4 kV, ±kV, ±15 kV air	±8 kV contact ±2 kV, ±4 kV, ±kV, ±15 kV air
Electrical fast transient /burst IEC 61000-4-4	±2 kV for power supply lines ±1 kV for input/output lines	±2 kV for power supply lines ±1 kV for input/output lines
Surge IEC61000-4-5	±1 kV line(s) to line(s) ±2 kV line(s) to earth	±1 kV line(s) to line(s) ±2 kV line(s) to earth
Voltage dips, short interruptions and voltage variations on power supply input lines IEC 61000-4-11	0% U; 0.5 cycle T at 0°, 45°, 90°, 135°, 180°, 225°, 270°, 315° 0% UT; 1 cycle 70% UT; 25/30 cycle 0% U; 250/300 cycle	0% U; 0.5 cycle T at 0°, 45°, 90°, 135°, 180°, 225°, 270°, 315° 0% UT; 1 cycle 70% UT; 25/30 cycle 0% U; 250/300 cycle
Power frequency (50/60 Hz) Magnetic field IEC61000-4-8	30 A/m 50Hz/60Hz	30 A/m 50Hz/60Hz
Conducted RF IEC61000-4-6	3 V r.m.s. 150 kHz to 80 MHz 6 V RMS in the ISM bands between 0.15 MHz and 80 MHz	3 V r.m.s. 150 kHz to 80 MHz 6 V RMS in the ISM bands between 0.15 MHz and 80 MHz
Radiated RF IEC61000-4-3	3 V/m 80 MHz - 2,7 GHz 80% AM at 1 kHz	3 V/m 80 MHz - 2,7 GHz 80% AM at 1 kHz
NOTE: UT is the a.c. mains voltage prior to application of the test level.		

Test Specifications for enclosure port immunity to RF wireless communications equipment					
Immunity Test	IEC60601 test level				Compliance level
	Test frequency	Modulation	Maximum power	Immunity level	
Radiated RF IEC 61000-4-3	385 MHz	**Pulse Modulation: 18Hz	1.8W	27 V/m	27 V/m
	450 MHz	*FM+ 5Hz derivation: 1kHz sine	2W	28 V/m	28 V/m
	710 MHz 745 MHz 780 MHz	**Pulse Modulation: 217Hz	0.2W	9 V/m	9 V/m
	810 MHz 870 MHz 930 MHz	**Pulse Modulation: 18Hz	2W	28 V/m	28 V/m
	1720 MHz 1845 MHz 1970 MHz	**Pulse Modulation: 217Hz	2W	28 V/m	28 V/m
	2450 MHz	**Pulse Modulation: 217Hz	2W	28 V/m	28 V/m
	5240 MHz 5500 MHz 5785 MHz	**Pulse Modulation: 217Hz	0.2W	9 V/m	9 V/m
<p>Note* - As an alternative to FM modulation, 50% pulse modulation at 18 Hz may be used even if it does not represent actual modulation.</p> <p>Note** - The carrier shall be modulated using a 50% duty cycle square wave signal.</p>					



Our products are subject to continuous technical improvements. Naggura reserves the right to change or modify the product and contents without prior notice.

naggura'

Pol. Ind. La Valldan
Camí de Garreta, 92
08600 Berga
Barcelona - Spain
T. +34 93 824 90 20
E. info@naggura.com