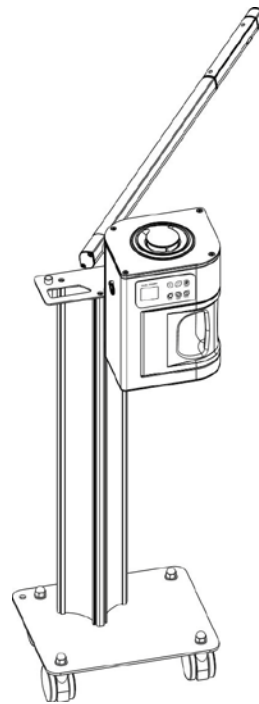


Instructions Manual

Beautyinstrument

WKV1108

Facial Steamer



VERSION 1.26

CORRECT USE OF THE DEVICE

- This product has been designed to be used by beauty professionals at beauty salons and should not be used for other purposes.
- Please note that any misuse of the device entails the loss of the guarantee.
- Do not make any modification to the device without the authorisation
- we shall not be held liable for any material or personal damage due to the misuse of the product.

CONTRAINDICATIONS

- This product should not be used on:
 - People with metal implants in their body.
 - People with pacemakers or heart problems.
 - Pregnant women.
 - People with sensitive skin, lesions, inflammations, or any skin problem or disease.
- With people undergoing medical treatment or a diagnostic process, the product must be used with medical authorisation.

PRECAUTIONS

- Before using it for the first time and after each use, check the device and the mains cable for any damage.
- Unplug the device from the mains before starting to clean it or undertaking any type of maintenance.
- Do not use the product outdoors or in places where it may be affected by humidity or inclement weather.
- If the power supply cable is defective, unplug the appliance immediately and inform your dealer or specialised technician.
- Position the power supply cable properly so that people cannot trip over it and make sure you plug it into an earthed socket.
- At the end of the working day, disconnect the device and unplug the power supply cable from the mains.
- If you detect any anomaly in the operation of the product, please contact your distributor or specialised technician.

SAFETY INDICATIONS

- The device and accessories should be kept out of the reach of children.
- Only plug the device into a properly installed socket. The local mains voltage must correspond to the technical specifications of the device.
- The power socket must be accessible in case you have to quickly unplug the device at any given time.
- Always pull out the actual plug and not the mains cable.
- Never tamper with any electrical component or open up/repair any component of the device, Only your distributor or specialised technician should repair the device.
- Do not switch on the device if there is visible damage to it or to the mains cable.
- Never touch the device or the mains cable with wet hands.

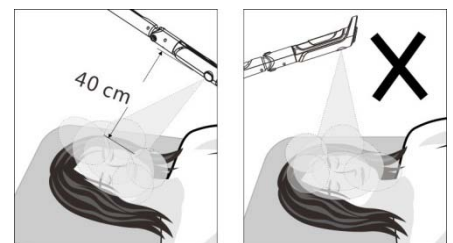
WARNING

- It's forbid to put oily material into water cup or herbal net; it may cause the problem of water spray.

- It's not allowed spray from the above of the face by the steam hole, otherwise may causing scald.
- It's not allowed to take the herbal cover and water cup apart under machine is spray.
- It's not allowed to put this machine in the over humidity environment to work, for example: bath room etc.
- It's not allowed working under projective sunshine, otherwise will cause many kind of unsteady conditions.
- If there's any exceptional problem, please contact the agency to let professional maintainer to repair instead of opening the host machine cover to repair by you.
- If power cord is destroyed, it's better to choose the accessories from the original factory. It's not allowed to repair by un-professional personnel; you should go to appointed repair agency to change.

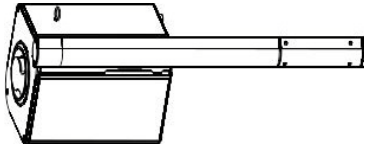

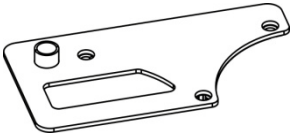
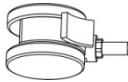
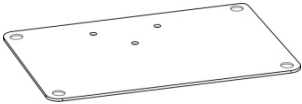


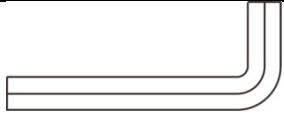


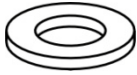

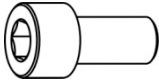
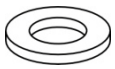



Attention

- Before turn on the power of the host machine, please confirm the water cup was screwed down, the water level was between the highest and lowest water level mark, and the herbal medicine cover was covered well in the water hole.
- If there's needed to add essential oil under working condition, please all it after pause the mist spray.
- If there's needed to add herbal medicine package during spray, it has to stop mist spray for one minute to open herbal cover. Please open the herbal medicine cover one minute after stop the mist spray.
- It must be clean the cotton pallet in the essential oil base and the herbal medicine package in the herbal medicine net after stop using aromatherapy or herbal spray everyday.
- It has to wait the mist came out from the spray hole steady and well-proportionally before facial spray.
- The spray hole is 40cm away from customer's face and spray steam should be from customer's chin to whole face proportionally to avoid scald the customer's face due to hot spray steam.
- Ozone has sterilization effect, but it also will harm skin and destroy nutrients of herbal, so it's important to select suitable time for different skin type when using.
- It's not allowed to take water cup apart when just finish using spray otherwise will cause scald. Please wait water cup cold then take it apart.
- It's necessary to avoid over adding water, otherwise it's not only make bad effect to the host machine, but also may cause the problem of leakage of electricity
- If there're problems of water leakage and gas leakage happen underneath the host machine or at the herbal medicine cover, remember cut off the power of host machine first and then check whether the water cup or herbal medicine cover well assembled. If the problems still don't be solved, please contact local agency for further
- Solution:
- It should have good ground connection for the power plug of host machine.
- if water level under lowest mark without adding water, the temperature protection system will react right away to cut off the power temporarily. At this time should add amount of water in time, otherwise temperature protection system would cut power again and again until burnout the heating system. The host machine will return to normal working condition

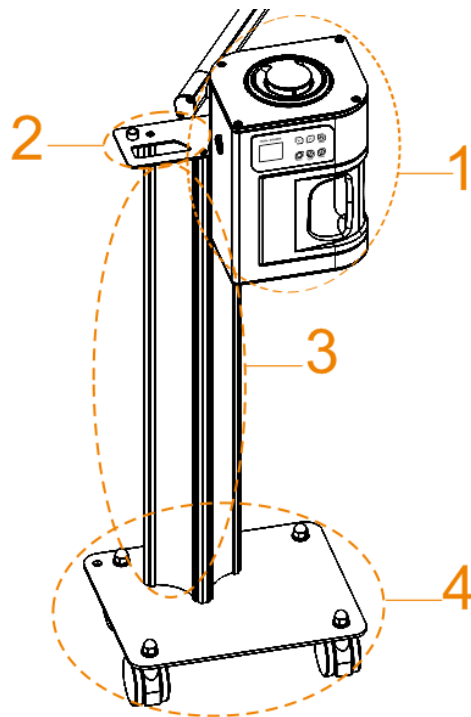


after adding water for 1-3 minutes.

Packing list:

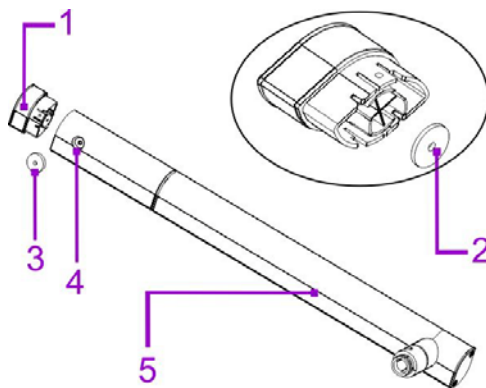
Item	Product Description	QTY	Item	Product Description	QTY
Host machine		1	Herbal Cover		1
Roof (magnifying glass bracket) components		1	Belt brake casters		2
Roof		1	Without belt brake casters		2
17#open spanner		1	M10 Allen wrench		1
Φ 10Spring gasket		3	19#open spanner		1
Φ 10flat gasket		3	Φ 12 Spring gasket		4
M10×25 Hex cylinder head machine silk		6	Φ 12 flat gasket		8
power wire		1	M12 Cover		4
			Instruction Manual		1

Steamer Structure Description



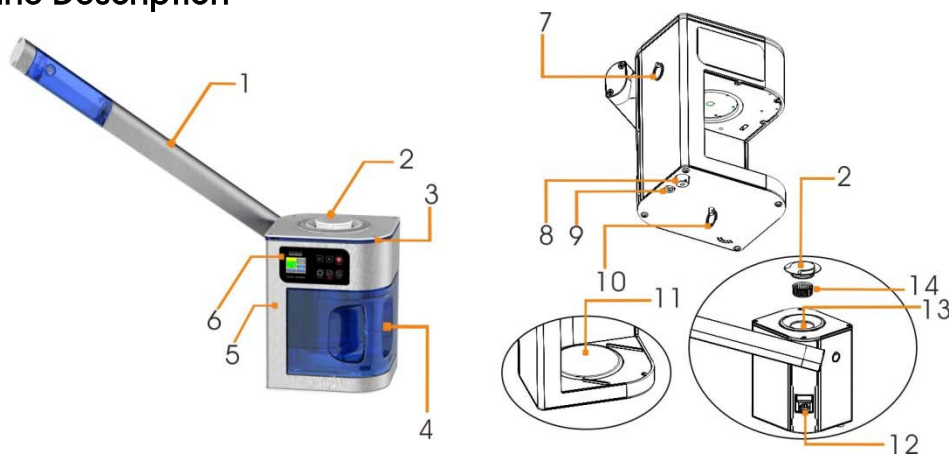
- 1.Spray Arm Groups 2.Host machine 3.Roof (magnifying glass bracket) components
- 4.column 5.Standing

Spray Arm Groups



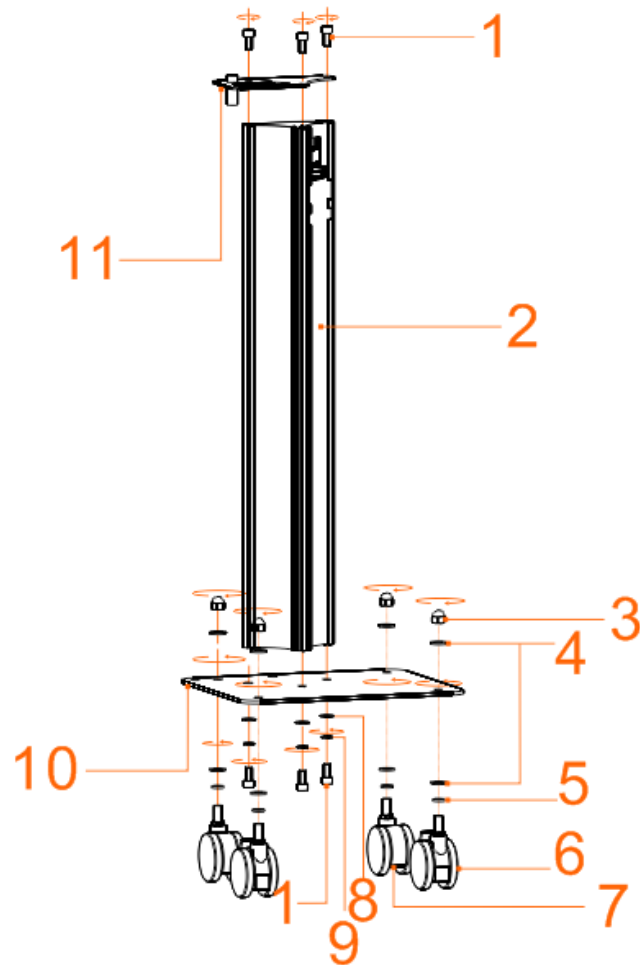
- 1.Essential oil base 2.Essence oil Cotton 3.Steam Output 4.Spray Arm

Host machine Description



- 1.Herbal Net 2.Add enough water to cover 3.LED Lamp with 4.Water Cup
- 5.Hot Handle 6.Control Panel 7.Spray arms ring 8.Starter
- 9.Insurance header 10.Hot plate operative ring 11.Hot plate
- 12.The power input socket 13.Filler 14.Herbal base

Host machine Description:



1.10×20 Hex cylinder head machine silk

2.Aluminum pillar

3.M12 Cover

4.Φ 12 flat gasket

5.Φ 12 spring washer

6.Belt brake casters

7.without Belt brake casters

8.Φ 10 flat gasket

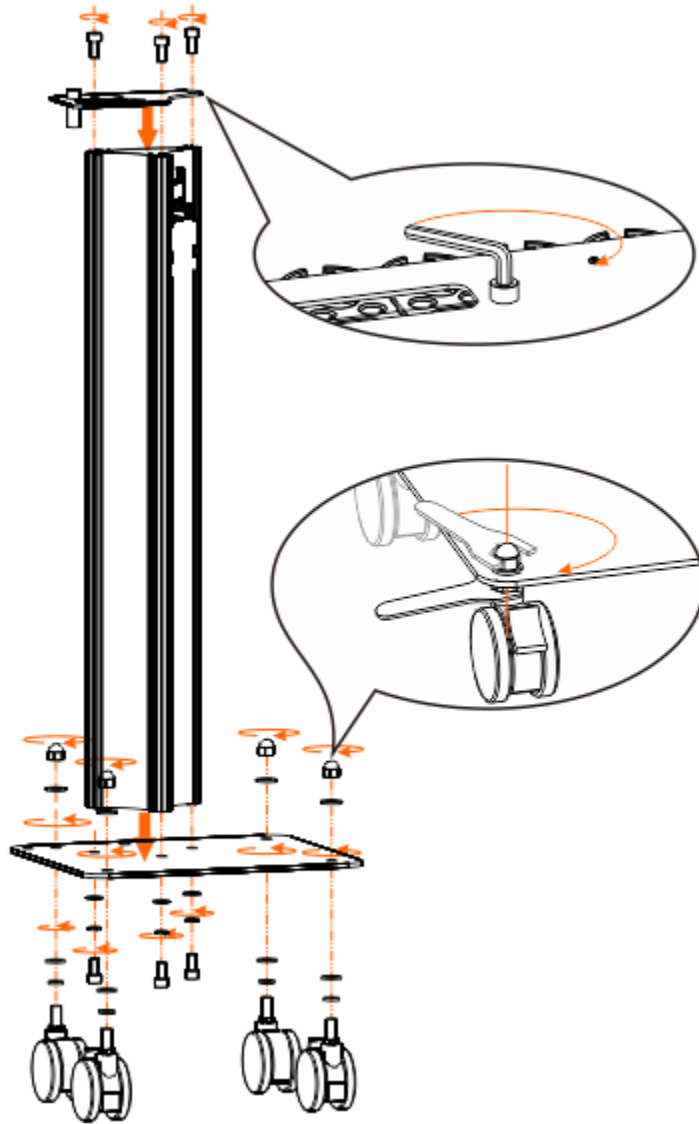
9.Φ 10 spring washer

10.Bottom plate

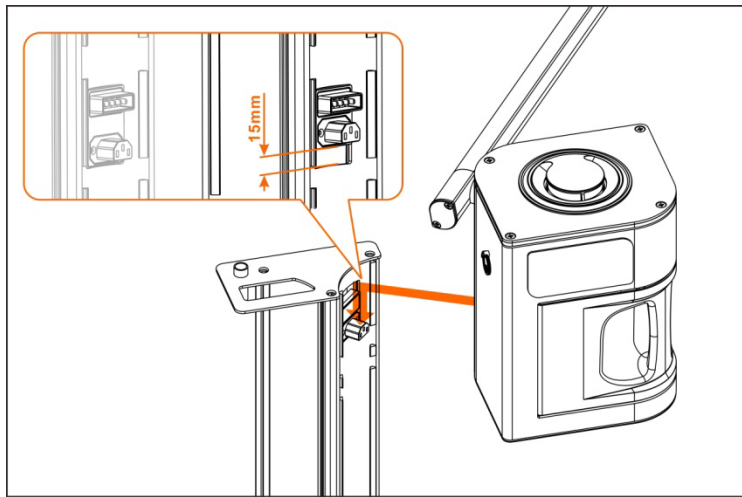
11.Roof (magnifying glass bracket) components

Assembly Instruction:

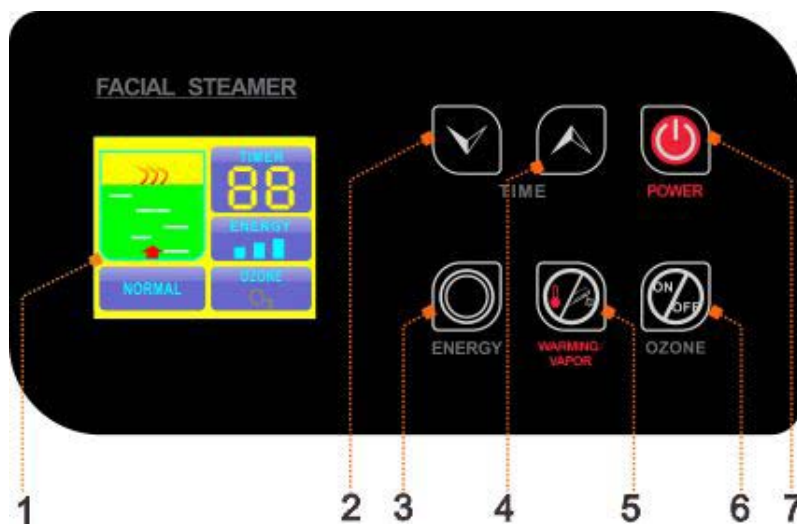
components (attachment)



- install the casters to the Standing: First, put the casters on ϕ 12 spring washer, ϕ 12 flat gasket, then insert into the base plate (pay attention to that the belt brake casters installed in the front and put a ϕ 12 flat gasket after tighten M12 cover up . While tighten the cover up, please use 17# open-end spanner to fix the nut at the bottom of the floor, then tighten the cover up with 19# open-end spanner.
- Install aluminum pillar: fit the Aluminum pillar to the three holds on bottom plate, then connect with M10×20 M10×20 Hex cylinder head machine silk, then tighten up screws with M10 allen wrench.
- Install the roof (magnifying glass) components: fit the Aluminum pillar to the three holes on bottom plate, then connect with M10×20 M10×20 Hex cylinder head machine silk, then tighten up screws with M10 allen wrench.
- install the sprayer At first you should put the host machine horizontally to the hole of the column until the column falling down 15 mm naturally.

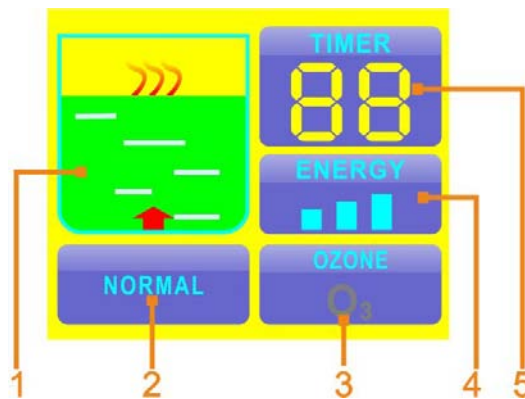


Sprayer panel Instruction



- 1. Working Window
- 2. Time Decreasing Key
- 3. Adjust Energy Key
- 4. Time Increasing Key
- 5. Warming Vapor Start Key
- 6. Ozone Star Key
- 7. Power

Working window Instruction

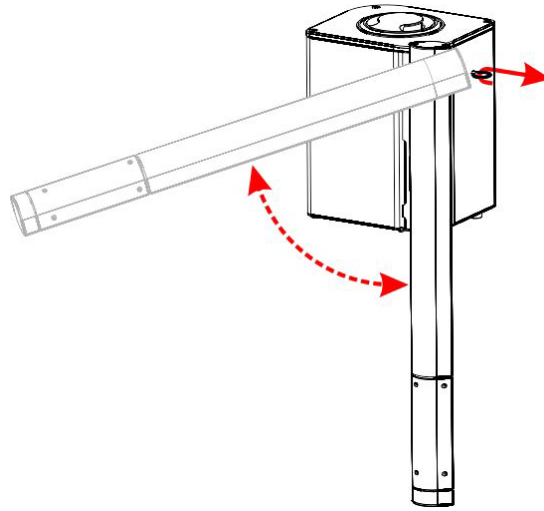


- 1. water cup working display area
- 2. warning display area
- 3. ozone working display area
- 4. energy display area
- 5. time display area

Usage Instruction

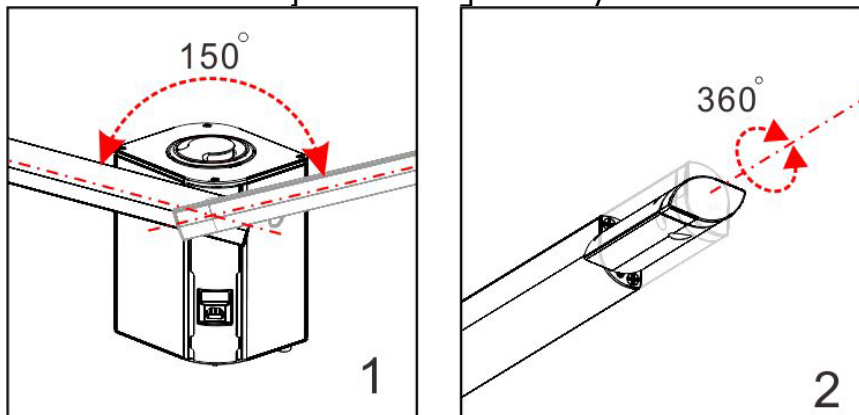
- unlock instruction of Spray arm

When you take out the machine, spray arm is locked. Now you should hold the spray arm and pull out by your hand, rotate the spray arm until to the horizontal position to unlock.



- Spray arm and spray nozzle adjustment instruction

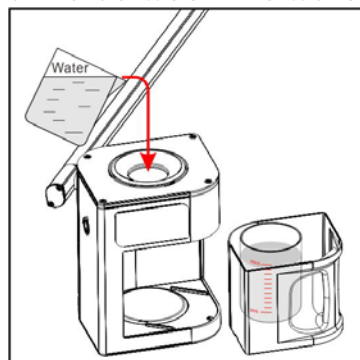
With unique design spray arm for multi-angle adjustment to adapt different environment. As the follow picture 1 the Spray arm can adjust right and left 150 degrees. As the follow picture 2 the shower nozzle can adjust 360 degrees. Pay attention not to adjust too hard.



- add water to the host machine:

Please lift up the cover, put water to the water cup.

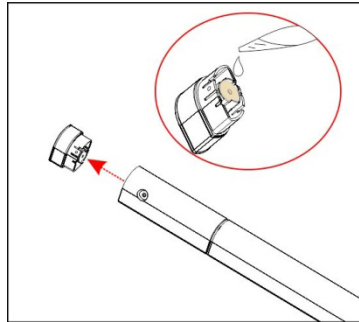
Water level should not beyond the between the water scale line



- Add perfume essence oil

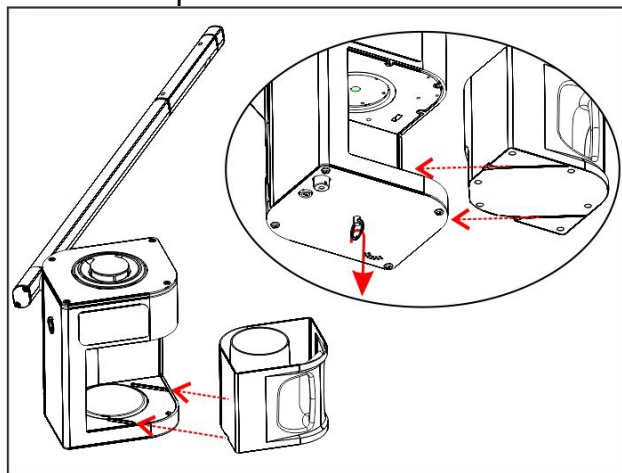
You should unplug the essential oil base, add perfume essence oil with dropper into the cotton (one to two drops is OK). (Picture at right)

You can change cotton with a tweezer.






- Install and remove water cup:

Please turn down the power of the host machine before assembling the water cup, push down the hot plate operative ring by one hand, and hold the water cup handle by other hand, then push the water cup back to the hot machine.





Control panel operation instruction


- Plug the power plug.
- Press the button  to turn on the host machine, the screen show the welcome menu, enter the language selection screen, then press  or  button to choose the language.

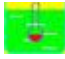
The host machine will enter the standby mode, Default time display window show "15" minutes .Energy display window show  maximum level"Ozone "display area show "O₃"symbol dark grey, The symbol of Water cup  "is fixed.

- Hot vapor function:

Press WARMING/VAPOR  to turn on the hot vapor function, the display screen show the hot vapor working status"  ", the hot machine enter the hot vapor working status; in about 6 minutes, the steamer will come out

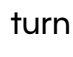


Temperature reservation 

Press WARMING/VAPOR  to turn on the temperature reservation function, the

display screen show the temperature reservation function working status" , the hot machine enter the temperature reservation function working status


- Time adjustment


Press  or  to adjust the time.

When hot vapor  turn on, the time adjustment range is 1-30 minutes, the default time is 15 minutes() When temperature reservation function  turn on , the time adjustment range is 1-90 minutes, the default time is 15 minutes

- Energy adjustment



choose the energy adjustment button  to adjust the energy. There are three choice for vapor volume, such as high ,medium and low

When the energy indication on the energy  is highest




When the energy indication off the energy  is lowest


Please choose the highest energy before the vapor come out ,then adjustment the energy to suitable level.

- Turn on the Ozone function

Press the  to turn on the Ozone function, the Ozone symbol of ozone indication area  are blue, when the ozone working. There are ozone smell with the vapor

- Water level alarm system

The water level detection system work during the hot vapor  or  temperature reservation system on, when the water stay in the normal status ,the host machine heat continuously ;when the water level beyond the lowest water level, the host machine will turn off the heating. And the symbol of the display window  will twinkle all the time

And the buzzer sounds the alarm with "Dee Dee" and lock all the button except the " ' button until the water level back to normal status and stop the buzzer and release button to restart the "WARMING/VAPOR" function.

Maintenance

- Clean heating groups one time every week. (Tips: Mix some acetic acid or citric acid with water to the water cup for washing, after heating for one minute then using clean water to wash heating tube.)
- Pay attention to the water level of the water cup frequently.
- Cleaning the machine after using, avoid accumulation by beauty leftover.

Specifications and Technical Data:

Product Name	Micro-Computer Fragrance herbs Facial steamer
Item No.	WKV1108
Function	Ion spray Facial Steamer
Rated Voltage/Power	AC. 100-120V/750W AC. 220-240V/800W
Working Frequency	50/60HZ
Dimension	89X41X32.5CM
N.W	17KG

Thank you for purchasing this product!

- Please read the entire instruction manual carefully before using the product. Take note of any warnings included in this manual.
- Always keep this instruction manual handy and if you give the device to another person, hand over the manual as it is an essential part of the product.
- Some components of the product may differ from the image that appears in catalogues, websites, brochures, etc.
- In order to enhance the product, the manufacturer reserves the right to modify its features and/or components without prior notice.

WK

Imported by
WEELKO BARCELONA SL
Pol. Ind. La Valldan

Camí de Garreta, 92
08600 Berga
Barcelona - Spain
T. +34 93 824 90 20
E. info@weelko.com