

# Instructions Manual

## Beautyinstrument

WKV1106

Facial Steamer



VERSION 1.26

## CORRECT USE OF THE DEVICE

- This product has been designed to be used by beauty professionals at beauty salons and should not be used for other purposes.
  - Please note that any misuse of the device entails the loss of the guarantee.
  - Do not make any modification to the device without the authorisation
  - we shall not be held liable for any material or personal damage due to the misuse of the product.

## CONTRAINDICATIONS

- This product should not be used on:
  - People with metal implants in their body.
  - People with pacemakers or heart problems.
  - Pregnant women.
  - People with sensitive skin, lesions, inflammations, or any skin problem or disease.
- With people undergoing medical treatment or a diagnostic process, the product must be used with medical authorisation.

## PRECAUTIONS

- Before using it for the first time and after each use, check the device and the mains cable for any damage.
- Unplug the device from the mains before starting to clean it or undertaking any type of maintenance.
- Do not use the product outdoors or in places where it may be affected by humidity or inclement weather.
- If the power supply cable is defective, unplug the appliance immediately and inform your dealer or specialised technician.
- Position the power supply cable properly so that people cannot trip over it and make sure you plug it into an earthed socket.
- At the end of the working day, disconnect the device and unplug the power supply cable from the mains.
- If you detect any anomaly in the operation of the product, please contact your distributor or specialised technician.

## SAFETY INDICATIONS

- The device and accessories should be kept out of the reach of children.
- Only plug the device into a properly installed socket. The local mains voltage must correspond to the technical specifications of the device.
- The power socket must be accessible in case you have to quickly unplug the device at any given time.
- Always pull out the actual plug and not the mains cable.
- Never tamper with any electrical component or open up/repair any component of the device, Only your distributor or specialised technician should repair the device.
- Do not switch on the device if there is visible damage to it or to the mains cable.
- Never touch the device or the mains cable with wet hands.

## WARNING

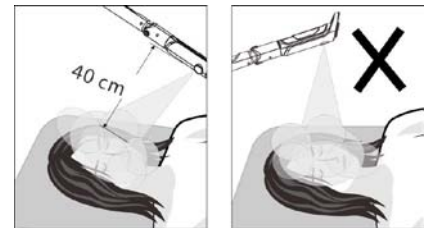
- It's forbid to put oily material into water cup or herbal net; it may cause the problem of water spray.
- it's forbid to use tap water or water with much impurities. We suggest to use purified water,

distilled water or filtered water, otherwise, it will cause detection failure and false positives.


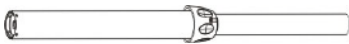
- It's not allowed spray from the above of the face by the steam hole, otherwise may causing scald.
- It's not allowed to take the water cup apart under machine is spray.
- It's not allowed to put this machine in the over humidity environment to work, for example: bath room etc.
- It's not allowed working under projective sunshine, otherwise will cause many kind of unsteady conditions.
- If there's any exceptional problem, please contact the agency to let professional maintainer to repair instead of opening the host machine cover to repair by you.
- If power cord is destroyed, it's better to choose the accessories from the original factory. It's not allowed to repair by un-professional personnel; you should go to appointed repair agency to change.









### Attention

- Before turn on the power of the host machine, please confirm the water cup was screwed down, the water level was between the highest and lowest water level mark and the water-in cover if tighten.
- If there's needed to add essential oil under working condition, pleas all it after pause the mist spray.
- It must be clean the cotton pallet in the essential oil base after stop using aromatherapy spray everyday.
- It has to wait the mist came out from the spray hole steady and well-proportionally before facial spray.
- The spray hole is 40cm away from customer's face and spray steam should be from customer's chin to whole face proportionally to avoid scald the customer's face due to hot spray steam.
- Ozone has sterilization effect, but it also will harm skin and destroy nutrients of herbal, so it's important to select suitable time for different skin type when using.
- Do not adjust the spray arm overexertion to avoid damage joints inside the spray arm.
- It's not allowed to take water cup apart when just finish using spray otherwise will cause scald. Please wait water cup cold then take it apart.
- It's necessary to avoid over adding water, otherwise it's not only make bad effect to the host machine, but also may cause the problem of leakage of electricity.
- If there're problems of water leakage and gas leakage happen underneath the host machine or at the herbal medicine cover, remember cut off the power of host machine first and then check whether the water cup or herbal medicine cover well assembled. If the problems still don't be solved, please contact local agency for further solution.
- It should have good ground connection for the power plug of host machine.
- Pay attention to the water level of the water cup frequently when operation.



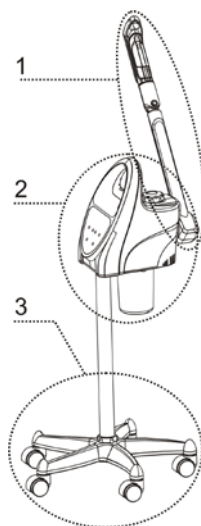
### Packing list:

Item	Product Description	QTY
Host machine		1 SET
Column		1 PCS

Five Feet Standing		5 PCS
Five Feet Base		1PCS
Five Feet Plat Broad		1PCS
M10 screws		1GROUP
Wrench		1 PCS
Essence cotton		2 PCS
Fixing sleeve		1 PCS
Instruction Manual		1 Copy

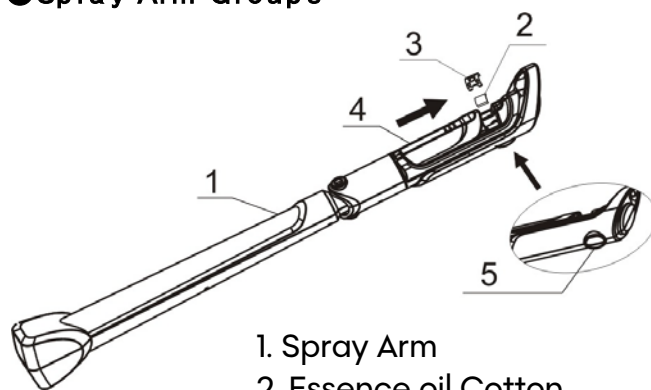
### ●Steamer Structure Description

1. Spray Arm Groups
2. Host machine
3. Standing



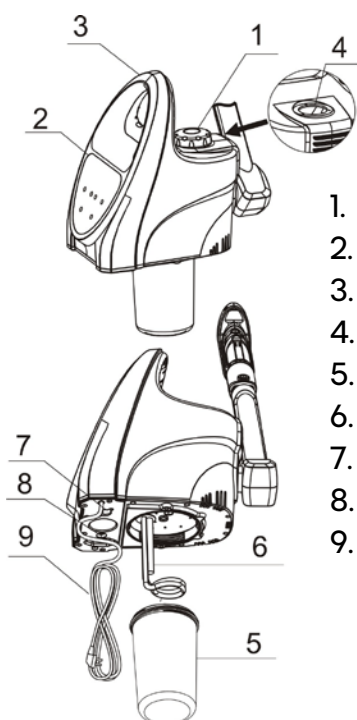
### ●Spray Arm Groups

1. Spray Arm
2. Essence oil Cotton
3. Essence support
4. Essence sliding Cover
5. Steam Outlet



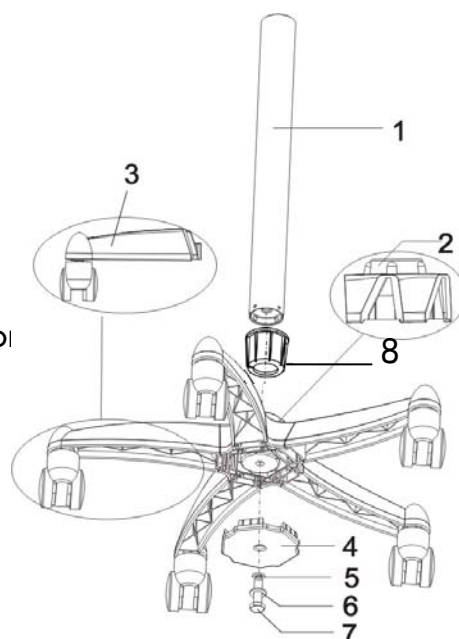
### ●Host machine Description

1. Cover
2. Control Panel
3. Host Handle
4. Atomization room
5. Water Cup
6. Heating Pipe
7. Starter
8. Fuse base
9. Power Cord

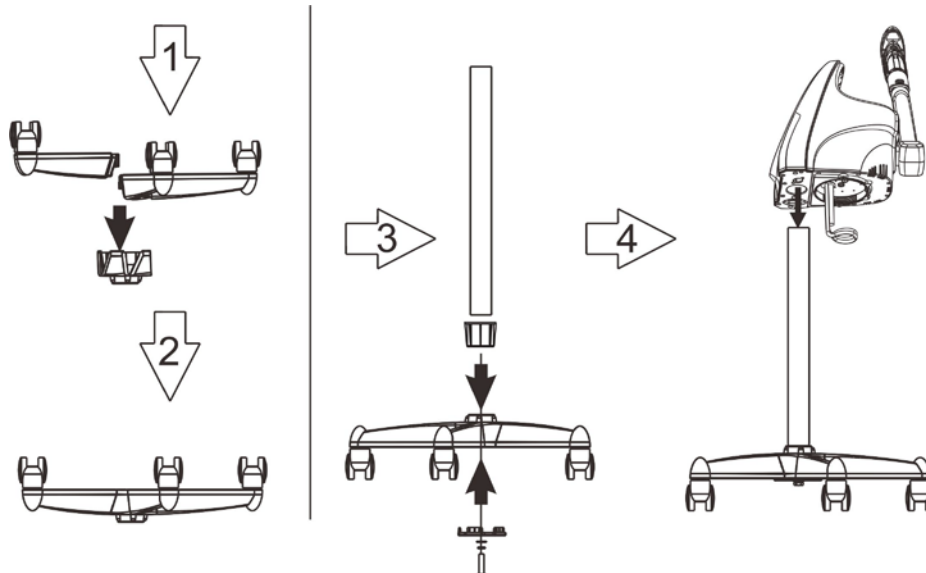


### ●Standing Description

1. Column
2. Five Feet Base
3. Five Feet standing
4. Five feet plat board
5. Ø10 Spring Lamination
6. Ø10 Flat Shim
7. M10 Bolt
8. fixing sleeve



● **Assembly Instruction:**



**Step 1:** Press the five feet cover to the five feet base;

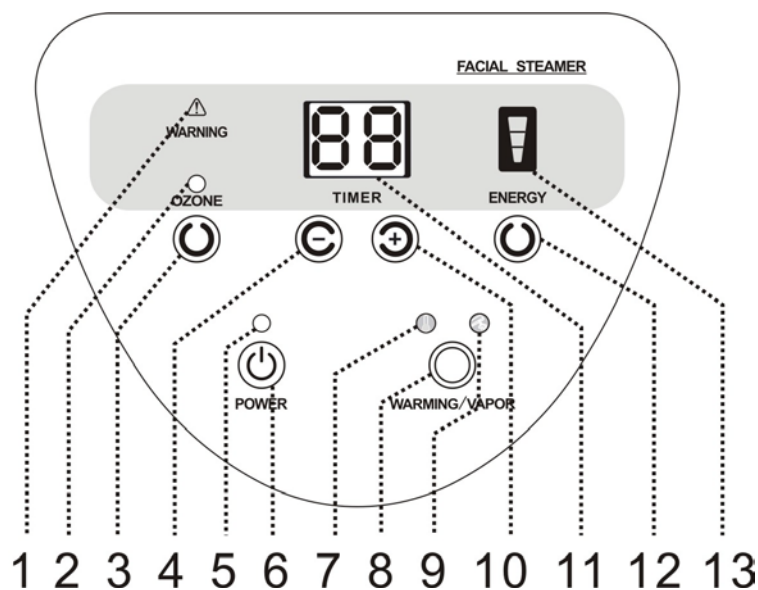
**Step 2, 3:** Set the column combine with the fixing sleeve in the five feet base;

Fix the five feet plat board on the five feet;

Put the flat shim and spring lamination to the M10 Screws, and then fix the five feet plat board and the five feet to the column by the M10 screws.

**Step 4:** Put the host machine in the column.

● **Panel Description:**



1.High/Low Water Warning Indicator Light 2.Ozone Working Indicator Light

3.Ozone Power Switch 4.Time Decreasing Key 5.Power Indicator Light

6.Power Switch 7.Warming Working Indicator Light 8.Warming or Hot Vapor turn on Key

9.Hot Vapor Working Indicator Light 10.Time Increasing Key 11.Time Display window

12.Energy Selection Key 13.Energy Display Window

**Usage Instruction**

**Spray arm unlock:**

when take out the whole machine from the packing ,the spray arm was locked in fixed position. Please pull out the limited lock with one hand (as direction of the black arrow in the picture ), rotate the spray arm to horizontal position with the other hand (as following picture ), release the limited lock for spray arm to finish the spray arm unlock. Before application,

please confirm unlock of the spray arm and adjust it around to 130 degrees.

### Spray arm and spray head setting:

Spray arm with special design. It can adjust by different angle to fit different environment. As the follow picture:

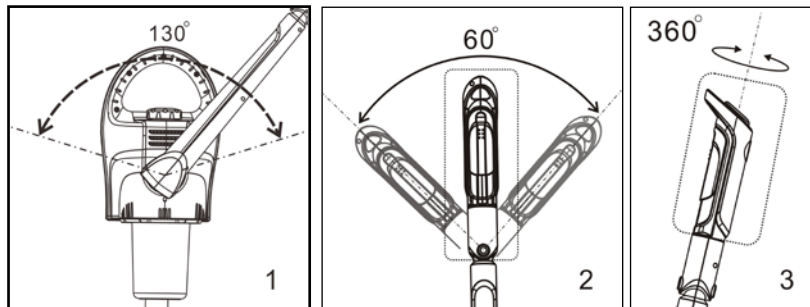
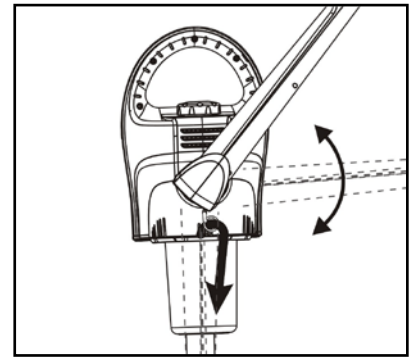
130 degree can be adjust by left-right direction.

60 degree can be adjust by forward-backward direction.

Spray head can be rotated 360 degree.

Spray arm only can be used within defined limits. It will spray water or damage component if out of limit adjustment forcibly which won't be covered under warranty.

Please don't adjust the arm too hard or it will damage inside joints of the spray arm.



### Put water into the cup:

Put water into the cup after open the herbal medicine cover.

The water level should be between the highest and lowest of the water scale marks. Effective capacity: 520 ml. Minimum water level capacity: 280 ml. (As picture shown).

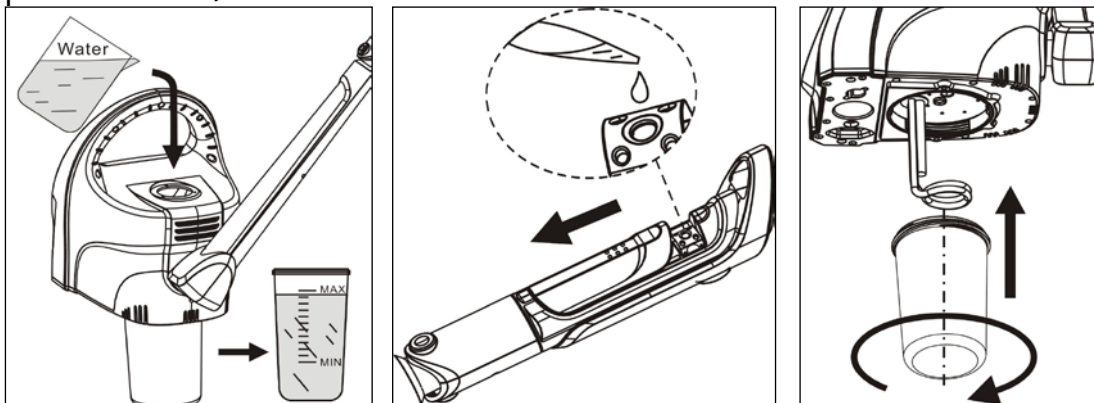
### Adding essence oil:

If there's need essential oil spray therapy, open the essential oil sliding cover on the top of the nozzle, and use burette drop essential oil into the cotton pallet (one or two drops of essential oil are enough). (As right picture shown) If it needs to change the essential oil, take away the essential oil base with tweezers and change the cotton. Reset it and add new essence oil.

### Water cup installation and removal:

Cut off the power before removing the water cup. Please water cup cold and then take it apart. Holding the host machine in one hand, and rotate clockwise by holding the bottom of the cup in another hand.

Vice versa, cut off the power before install the water cup. Holding the host machine in one hand, and rotate counterclockwise by holding the bottom of the cup in another hand. (As picture shown)



### Control panel operation:

1. Plug the power plug.

2. "○" power indicator light on of the power key "⏻" when turn on the power key "⏻", motor

goes on standby status.




—Time window displays "15"minutes.




—""on the energy window shown the largest gear.

—Ozone working status indicator light ""on the "" ozone switch is off.



—Spray working status indicator light "" or "" on the "" WARMING/VAPOR switch is off.

3、 Turn on the hot spray key" WARMING/VAPOR "" switch

—Turn on the "WARMING/VAPOR "" switch, spray working status indicator light "" on the ""lights. At this time, the host begins heating, steam spouts from the nozzle around six minutes.

—Turn on the "WARMING/VAPOR "" switch, WARMING working status indicator light "" on the ""lights. At this time, the host begins heating.



4、 Time setting

Press key "" and "" for TIMER" to set up the working time according needed.



When spray working status indicator light "", time range 1~30 min, default 15 min.

When Warming working status indicator light "", time range 1~90 min, default 30 min.



5、 Energy setting

Press "ENERGY ""to select the output of the mist, there are high, middle and low mist for selection; the "" display window lights full means the highest energy, contrary means the lowest energy. Before the mist spouts should be selected the highest level in using, then adjust the mist according needed.

6、 Turn on the ozone function


Press the ozone switch "", the ozone working status indicator light ""is on; At this time, ozone pipe turns on, obviously ozone smells in the steam with distinct atomization phenomenon.

7、 Water level detection function

The host machine detect the water level automatically when heating "" or "", when the water level under the normal working (water level between the maximum and minimum), the host machine will continuous heating ;

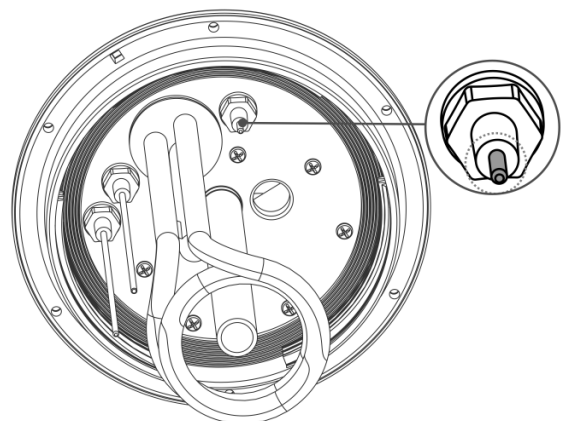
When too high or too low water level is detected , (when the water level was too high, the time display window will display "E2", when the water level too low, the time display window will display "E1", the host machine turn off the heating right away.

At this time, the indicator light "" or "" on

"WARMING/VAPOR "" key is off. the buzzer will give the alarm signal "De De" Continuously until the water level reach the normal water lever., and unlock the all the locked button, at this time, press the "

WARMING/VAPOR "" to rework

**Note:** If the use of the display "E2" alarm but the water level is normal, first turn off the power, wait for the water cup to cool down and pour out



the water inside and clean, and then thoroughly clean the metal probe next to the heat pipe with water (as shown) repeat 2-3 times, and then reboot. The "E2" alarm will disappear and work normally. Please replace the clean and fresh water before use every day, and thoroughly clean the water cup after use to avoid the accumulation of grease and other

### Maintenance

- Change the clean water before using every day. Clean the water cup thoroughly when finish operating and avoid the accumulation of grease and other residue.
- Clean heating groups one time every week. (Tips: Mix some acetic acid or citric acid with water to the water cup for washing, after heating for 10 minute then using clean water to wash heating tube.)
- Pay attention to the water level of the water cup frequently.
- Cleaning the machine after using, avoid accumulation by beauty leftover.

### Specifications and Technical Data:

<b>Product Name</b>	Micro-ComputerAromatherapy Ion Facial steamer
<b>Function</b>	Ion Facial Steamer
<b>Rated Voltage/Power</b>	AC. 110-130V/750W \ AC. 220-240V/800W
<b>Working Frequency</b>	50/60HZ
<b>Dimension</b>	1100*390*280mm
<b>N.W</b>	5.2 KG

Thank you for purchasing this product!

- Please read the entire instruction manual carefully before using the product. Take note of any warnings included in this manual.
- Always keep this instruction manual handy and if you give the device to another person, hand over the manual as it is an essential part of the product.
- Some components of the product may differ from the image that appears in catalogues, websites, brochures, etc.
- In order to enhance the product, the manufacturer reserves the right to modify its features and/or components without prior notice.



Imported by  
WEELKO BARCELONA SL  
Pol. Ind. La Valldan

Cami de Garreta, 92  
08600 Berga  
Barcelona - Spain  
T. +34 93 824 90 20  
E. info@weelko.com